

HC-STA-B48-SHWSC-2SSM32-EMC-AL - Housing



1424873

<https://www.phoenixcontact.com/au/products/1424873>

Please be informed that the data shown in this PDF document is generated from our online catalog. Please find the complete data in the user documentation. Our general terms of use for downloads are valid.



Surface mounting housing B48, with single locking latch, material: Die-cast aluminum, salt water resistant, protective cover material: PA, cable outlets: 2, lateral, 2x M32, height: 99 mm, cable gland: none, protective cover: yes, Standard

Your advantages

- Good shielding in the event of electromagnetic interference

Commercial data

Item number	1424873
Packing unit	1 pc
Minimum order quantity	1 pc
Sales key	AF7APB
Product key	AF7APB
Catalog page	Page 645 (C-2-2019)
GTIN	4055626382760
Weight per piece (including packing)	1,391 g
Weight per piece (excluding packing)	1,015 g
Customs tariff number	85389099
Country of origin	CN

1424873

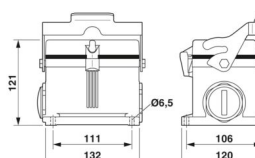
<https://www.phoenixcontact.com/au/products/1424873>

Technical data

Product properties

Product type	Housing with locking latch
Housing type	Surface mounting housing
Application	Standard
Type	B48
No. of cable outlets	2
Type of the screw connection	2x M32
Type	Tall design
Protective cover	yes
Cable outlet	lateral
Pg screw connection	none

Dimensions

Dimensional drawing	
Width	120 mm
Height	99 mm
Length	132 mm
Hole diameter	6.5 mm

Material specifications

Flammability rating according to UL 94	V0 (Interlock) V0 (Protective cover)
Seal material	NBR, conductive
Housing material	Die-cast aluminum, salt water resistant
Housing surface material	uncoated
Material, protective cover	PA
Locking latch material	PA

Mechanical properties

Mechanical data

Type of the screw connection	2x M32
Locking type	Latch

Connection data

Tightening torque	3 Nm ... 5 Nm (for M6 mounting screws on the surface-mount housing)
-------------------	---

1424873

<https://www.phoenixcontact.com/au/products/1424873>

Mounting

Assembly note	One opening is sealed with a plastic filler plug and can be opened using a screwdriver.
---------------	---

Environmental and real-life conditions

Ambient conditions

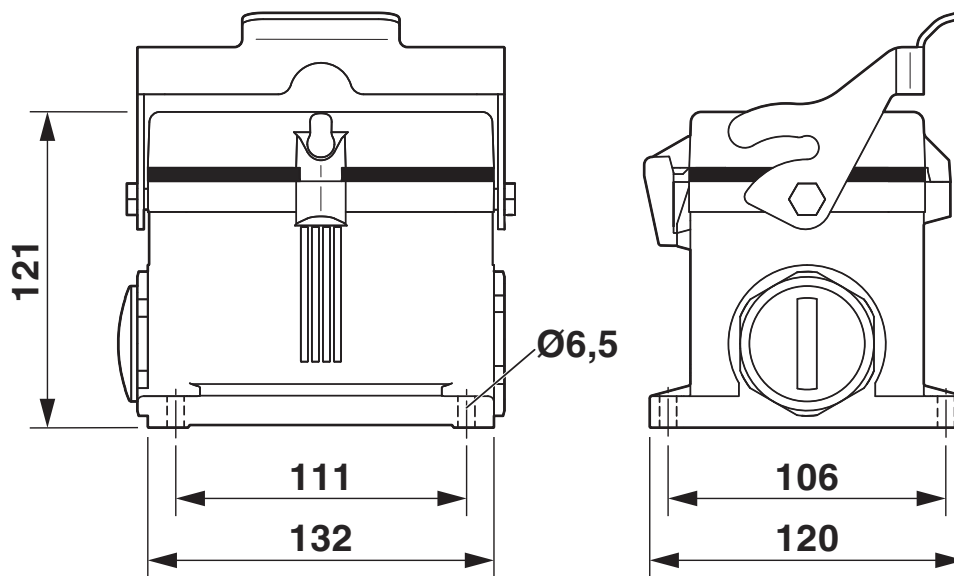
Degree of protection	IP66 (with locked protective cover)
	IP67 (when plugged in)
Enclosure rating (NEMA)	4 (UL 50e)
	4X (UL 50e)
	12 (UL 50e)
Impact strength	IK08
Ambient temperature (operation)	-40 °C ... 125 °C

1424873

<https://www.phoenixcontact.com/au/products/1424873>

Drawings

Dimensional drawing



Dimensional drawing

1424873

<https://www.phoenixcontact.com/au/products/1424873>

Approvals

🔗 To download certificates, visit the product detail page: <https://www.phoenixcontact.com/au/products/1424873>

DNV

Approval ID: TAE000037S



cUL Recognized

Approval ID: E255026



UL Recognized

Approval ID: E255026

1424873

<https://www.phoenixcontact.com/au/products/1424873>

Classifications

ECLASS

ECLASS-13.0

27440202

ETIM

ETIM 9.0

EC000437

UNSPSC

UNSPSC 21.0

31261500

1424873

<https://www.phoenixcontact.com/au/products/1424873>

Environmental product compliance

EU RoHS

Fulfills EU RoHS substance requirements	Yes
Exemption	6(c)

China RoHS

Environment friendly use period (EFUP)	EFUP-50
	An article-related China RoHS declaration table can be found in the download area for the respective article under "Manufacturer declaration". For all articles with EFUP-E, no China RoHS declaration table issued and required.

EU REACH SVHC

REACH candidate substance (CAS No.)	Lead(CAS: 7439-92-1)
SCIP	ba31b3fd-9dac-4063-acbd-5c839f994dbb

Phoenix Contact 2025 © - all rights reserved

<https://www.phoenixcontact.com>

PHOENIX CONTACT PTY Ltd

Unit 7, 2-8 South Street

Rydalmere NSW 2116

1300 786 411

customerservice@phoenixcontact.com.au