

NBC-M 8MS/ 1,0-93B/R4AC - Network cable



1407352

<https://www.phoenixcontact.com/au/products/1407352>

Please be informed that the data shown in this PDF document is generated from our online catalog. Please find the complete data in the user documentation. Our general terms of use for downloads are valid.



Network cable, Ethernet (100 Mbps), PROFINET (100 Mbps), EtherCAT® (100 Mbps), 4-position, PVC/PVC, green RAL 6018, shielded, Plug straight M8, coding: A / IP67, on Plug straight RJ45 / IP20, cable length: 1 m

Commercial data

| | |
|--------------------------------------|--------------------------------|
| Item number | 1407352 |
| Packing unit | 1 pc |
| Minimum order quantity | 1 pc |
| Note | Made to order (non-returnable) |
| Sales key | AF1BJI |
| Product key | AF1BJI |
| Catalog page | Page 394 (C-2-2019) |
| GTIN | 4046356774802 |
| Weight per piece (including packing) | 78 g |
| Weight per piece (excluding packing) | 78 g |
| Customs tariff number | 85444290 |
| Country of origin | PL |

1407352

<https://www.phoenixcontact.com/au/products/1407352>

Technical data

Notes

| | |
|---------|---|
| General | Further products with variable cable type and variable cable length can be found in the accessories section |
|---------|---|

Product properties

| | |
|---------------------|-------------------------|
| Product type | Data cable preassembled |
| Application | Standard |
| Sensor type | Ethernet |
| Number of positions | 4 |
| Shielded | yes |
| Coding | A |

Interfaces

| | |
|----------------------|---------------------|
| Bus system | Ethernet |
| Signal type/category | Ethernet, 100 Mbps |
| | PROFINET, 100 Mbps |
| | EtherCAT®, 100 Mbps |

Signaling

| | |
|------------------------|----|
| Status display | no |
| Status display present | no |

Electrical properties

| | |
|-----------------------|---------|
| Nominal voltage U_N | 30 V AC |
| | 30 V DC |
| Nominal current I_N | 1 A |
| Transmission medium | Copper |

Connector

Connection 1

| | |
|-----------------------------|---|
| Type | Plug straight M8 / IP67 |
| Number of positions | 4 |
| Coding type | A (Standard) |
| Handle color | black |
| Material | CuSn (Contact) |
| | Ni/Au (Contact surface) |
| | TPU GF (Contact carrier) |
| | TPU, hardly inflammable, self-extinguishing (Grip body) |
| | Zinc die-cast, nickel-plated (Screw connection) |
| Insertion/withdrawal cycles | ≥ 100 |
| Insulation resistance | ≥ 100 MΩ |
| Tightening torque | 0.2 Nm |

NBC-M 8MS/ 1,0-93B/R4AC - Network cable

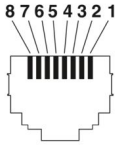


1407352

<https://www.phoenixcontact.com/au/products/1407352>

| | |
|---------------------------------|------------------|
| Degree of protection | IP67 |
| Ambient temperature (operation) | -25 °C ... 90 °C |

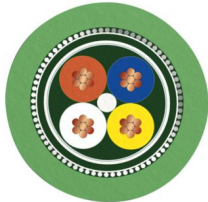
Connection 2

| | |
|--|---|
| Dimensional drawing |  <p>Connector pin assignment plug RJ45</p> |
| Type | RJ45, straight |
| Signal type/category | PROFINET CAT5 (IEC 11801), 100 Mbps EtherCAT® CAT5 (IEC 11801) |
| Insertion/withdrawal cycles | ≥ 750 |
| Insulation resistance | ≥ 100 MΩ |
| Overvoltage category | I |
| Degree of pollution | 2 |
| Material Contact | CuSn |
| Material Contact surface | Ni/Au |
| Material Contact carrier | PA |
| Material Housing | PA |
| Color (Housing) | black |
| Flammability rating according to UL 94 | V2 |
| Degree of protection | IP20 |
| Ambient temperature (operation) | -25 °C ... 80 °C |

Cable/line

| | |
|--------------|-----|
| Cable length | 1 m |
|--------------|-----|

PROFINET PVC stranded CAT5 [93B]

| | |
|---------------------|--|
| Dimensional drawing |  |
| UL AWM Style | 21695 (80 °C / 600 V) |
| Number of positions | 4 |
| Shielded | yes |
| Cable type | PROFINET PVC stranded CAT5 [93B] |

NBC-M 8MS/ 1,0-93B/R4AC - Network cable



1407352

<https://www.phoenixcontact.com/au/products/1407352>

| | |
|---|--|
| Conductor structure | 1x4xAWG22/7, SF/TQ |
| AWG signal line | 22 |
| Conductor cross section | 4x 0.34 mm ² |
| Wire diameter incl. insulation | 1.5 mm ±0.1 mm |
| External cable diameter | 6.50 mm ±0.2 mm |
| Outer sheath, material | PVC |
| External sheath, color | green RAL 6018 |
| Conductor material | Tin-plated Cu litz wires |
| Material wire insulation | PE |
| Single wire, color | white, yellow, blue, orange |
| Overall twist | Star quad |
| Optical shield covering | 85 % |
| Insulation resistance | ≥ 5 GΩ*km |
| Loop resistance | ≤ 120.00 Ω/km |
| Wave impedance | 100 Ω ±5 Ω (at 100 MHz) |
| Nominal voltage, cable | ≤ 600 V |
| Test voltage Core/Core | 2000 V ((50 Hz/1 min)) |
| Test voltage Core/Shield | 2000.00 V ((50 Hz/1 min)) |
| Minimum bending radius, fixed installation | 4 x D |
| Minimum bending radius, flexible installation | 8 x D |
| Flame resistance | UL 1581, Section 1060 and UL 2556, Section 9.3 (FT1) UL 1685 (CSA FT 4) UL 1581, Section 1100 and UL 2556, Section 9.1 (HFT/FT2) |
| Resistance to oil | OIL RES I according to UL 2256 |
| Other resistance | UV resistant (according to UL 1581, Section 1200) |
| Ambient temperature (operation) | -40 °C ... 80 °C (cable, fixed installation) -10 °C ... 70 °C (Cable, flexible installation) |

Environmental and real-life conditions

Ambient conditions

| | |
|---|-----------------------------------|
| Degree of protection | IP65 (M8 connectors) |
| | IP67 (M8 connectors) |
| | IP20 (RJ45 connector) |
| Ambient temperature (operation) (male connector/female connector) | -25 °C ... 90 °C (M8 connectors) |
| | -25 °C ... 60 °C (RJ45 connector) |

Standards and regulations

M8

| | |
|--------------------------|-----------------|
| Standard designation | M8 connector |
| Standards/specifications | IEC 61076-2-104 |

NBC-M 8MS/ 1,0-93B/R4AC - Network cable

1407352

<https://www.phoenixcontact.com/au/products/1407352>

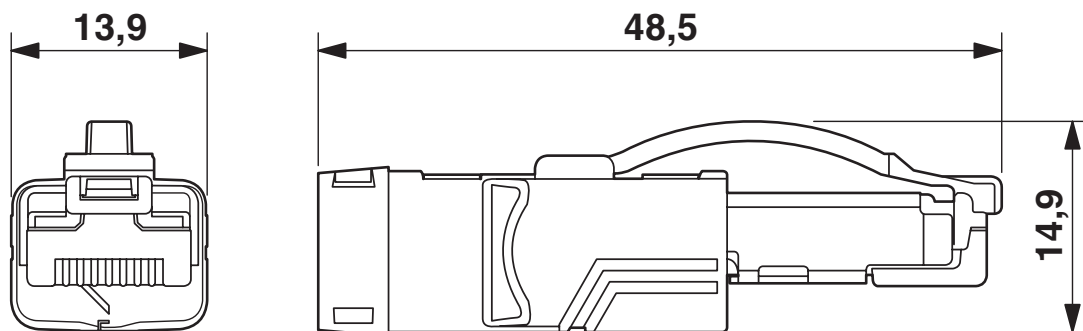
Drawings

Dimensional drawing



M8 x 1 male plug, straight version

Dimensional drawing



RJ45 connector, IP20

1407352

<https://www.phoenixcontact.com/au/products/1407352>

Schematic diagram



Pin assignment M8 plug, 4-pos., view male side

Schematic diagram



Connector pin assignment plug RJ45

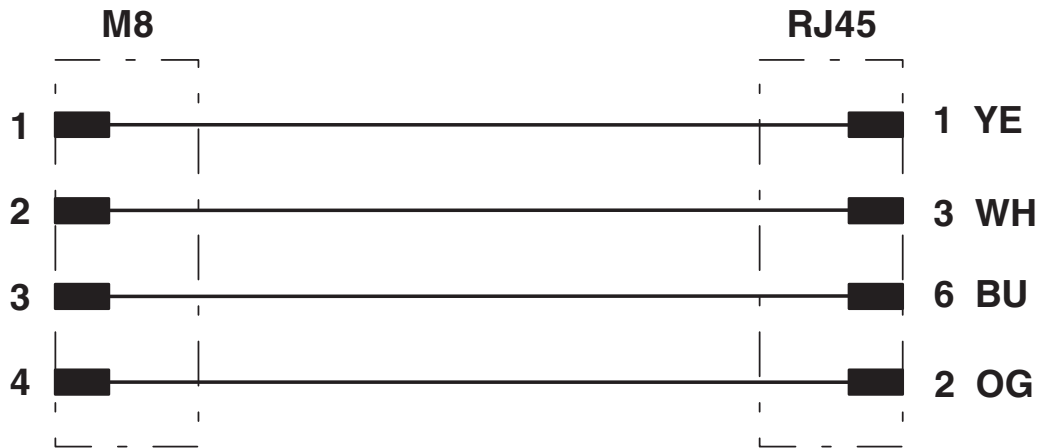
NBC-M 8MS/ 1,0-93B/R4AC - Network cable



1407352

<https://www.phoenixcontact.com/au/products/1407352>

Circuit diagram



Contact assignment of the M8 and RJ45 plug

NBC-M 8MS/ 1,0-93B/R4AC - Network cable



1407352

<https://www.phoenixcontact.com/au/products/1407352>

Approvals

To download certificates, visit the product detail page: <https://www.phoenixcontact.com/au/products/1407352>



EAC-RoHS

Approval ID: RU D-DE.HB35.B.00387

NBC-M 8MS/ 1,0-93B/R4AC - Network cable



1407352

<https://www.phoenixcontact.com/au/products/1407352>

Classifications

ECLASS

ECLASS-13.0

27060307

ETIM

ETIM 9.0

EC001855

UNSPSC

UNSPSC 21.0

26121600

NBC-M 8MS/ 1,0-93B/R4AC - Network cable



1407352

<https://www.phoenixcontact.com/au/products/1407352>

Environmental product compliance

EU RoHS

| | |
|---|--------------------|
| Fulfills EU RoHS substance requirements | Yes, No exemptions |
|---|--------------------|

China RoHS

| | |
|--|--|
| Environment friendly use period (EFUP) | EFUP-E |
| | No hazardous substances above the limits |

EU REACH SVHC

| | |
|-------------------------------------|----------------------------|
| REACH candidate substance (CAS No.) | No substance above 0.1 wt% |
|-------------------------------------|----------------------------|

EF3.0 Climate Change

| | |
|---------|---------------|
| CO2e kg | 1.547 kg CO2e |
|---------|---------------|

Phoenix Contact 2025 © - all rights reserved
<https://www.phoenixcontact.com>

PHOENIX CONTACT PTY Ltd
Unit 7, 2-8 South Street
Rydalmere NSW 2116
1300 786 411
customerservice@phoenixcontact.com.au