

CABLE MANAGEMENT SYSTEMS

Cable entry system  
for flat cables  
KDS-FB



Product Information

# Contents

Our company	3
<hr/>	
The advantages online	4
<hr/>	
Globally available for you	5
<hr/>	
A complete line of products for your challenges	6
<hr/>	
KDS-SR-FB Cable entry system for flat cables	8
<hr/>	
Seals for flat cables	14
<hr/>	
KDS-BW Actuating tool	17
<hr/>	
Punching tools	18
<hr/>	
Combination matrix	20
<hr/>	
Additional products for cable management	22



## CONTA-CLIP: thinking ahead for connection systems

CONTA-CLIP was founded in 1977. We operate globally as an owner-operated medium-sized company.

Users of electrical and electronic connection systems rely on our reliable products and our many years of industrial and global market expertise.

Our company is now one of the most important manufacturers in the field.

For over 40 years, our components and solutions have been used in various process and industrial automation applications, including: railway technology, materials handling, building automation, air conditioning, mechanical and facility engineering, measurement and control technology, control panel construction, shipbuilding, transformer construction and environmental technology.

Over the years, we have evolved into an innovator that sets the tone with new ideas and creative impulses.

Our employees come from a wide variety of industries and view themselves as true connectivity specialists. They understand the specific problems, requirements and challenges of our customers. This results in communication among equals.

The profits then flow into the development of new products as well as into modern, efficient manufacturing processes.

A high quality standard throughout all departments is our number one priority.

Our top-class products are supported by this interplay between top-class men and machinery. We have also designed our range of services to align with customer needs.

Our products are divided into six categories: CONTA-CONNECT for terminal blocks and accessories, CONTA-ELECTRONICS for electrical and electronic control cabinet components, CONTA-LABEL for marking systems, Cable Management Systems, CONTA-BOX for housings and CONTA-CON for PCB terminal blocks and connectors.

We design customer-specific solutions for electronics, provide completely assembled housings and assemblies as needed, assemble terminal blocks for series production, and quickly handle component labelling tasks.

We greet these challenges with passion and enthusiasm, because we see each customer as our partner.

CONTA-CLIP customer representatives are always ready to offer their support to the customer, because service and helpfulness are rooted deeply in our corporate philosophy.

# Advantage online: the CONTA-CLIP Online Catalogue

No matter where you are, as long as you're online you can access our digital catalogue to look at our services and quickly identify suitable solutions for your requirements.

**Fast results** Use the full-text search, enter an order number or use the convenient "step-by-step" feature search function.

**Project planning at a glance:** After you've selected the products, all the master data for the materials (sales data, technical data, drawings, connection diagrams, classifications and approvals) are made available as a data sheet or export file.

**Detailed inquiries about components** can be sent via the shopping cart directly to our headquarters. Upon request, you will receive an e-mailed copy of your inquiry.

**Application films:** Complex functions be explained easily and clearly with sounds and images.

**Printed catalogue:** Would you like an offline overview? Please ask for our free printed catalogues.

**Industry-specific:** You will find the solutions that are relevant for your industry, according to your expertise.

**Newsletter:** Do you want to stay up to date? Subscribe to our newsletter! Simply register, confirm our authentication e-mail, and you'll be regularly informed about all CONTA-CLIP news.

Discover how the world of CONTA-CLIP and our website can deliver added value for you and your projects!

The screenshot displays the CONTA-CLIP website interface. The top navigation bar includes 'Home', 'Download', 'Login', and 'Corporate Website (English)'. The main header features the CONTA-CLIP logo and a search bar. Below the header, a large banner advertises the 'CABLE ENTRY SYSTEM KDSCLICK' with the tagline 'From inside out through the wall. WITH KDSCLICK.' and a list of features: 'Configuration with inlays', 'Reduced installation time', 'Controlled storage', 'Easy assembly from the inside to the outside', and 'High IP66 protection'. A red 'IP66' badge is prominently displayed. To the right, a detailed image of the KDSCLICK device is shown with various colored cables plugged in. Below the banner, there are four smaller promotional tiles: 'All Connection Types', 'Leading Applications', 'Individual Solutions', 'THE COMPLETELY DIFFERENT PRODUCT OVERVIEW!', 'INSIGHTS Watch the company movie!', 'RANGE OF PRODUCTS U-Profile: Top solutions...', and 'EXHIBITIONS Stand events'. On the right side of the page, a search bar is visible with the text 'Produktname / Artikelnummer / Suchzeitpunkt'. Below it, a breadcrumb trail reads 'KABELMANAGEMENTSYSTEME > KABELDÜBELFÜHRUNG KDS > Rahmen > Schraubrahmen'. The product details section shows 'Artikel-Nr.: 28506.4' and 'Artikel-Beschreibung: Kabeldurchführung mit eingeschlammter Dichtung, Montageart: Schrauben, Länge: 81 mm, Breite: 79 mm, IP 66, Farbe: Schwarz'. A quantity selector is set to '1 ST' and a green button 'In den Warenkorb' is visible. At the bottom, there are tabs for 'Kaufmännische Daten', 'Technische Daten', and 'Zubehör'.

# Globally available for you

Are you working abroad? No problem. Our worldwide sales and distribution partners help us to be globally networked and provide on-time reliable deliveries. Simply scan the QR code shown and you'll learn on our website about the sales partner responsible for your country.



## Our locations in Africa

Algeria  
Morocco  
South Africa

## Our locations in Asia

Bahrain  
China  
Hong Kong  
India  
Israel  
Jordan  
Malaysia  
Oman  
Pakistan  
Qatar  
Saudi Arabia  
Singapore  
South Korea  
Taiwan  
Turkey  
United Arab Emirates

## Our locations in Australia

Australia  
New Zealand

## Our locations in Europe

Austria  
Belarus  
Belgium  
Bosnia and Herzegovina  
Bulgaria  
Croatia  
Czech Republic  
Denmark  
Finland  
France  
Great Britain  
Germany  
Greece  
Hungary  
Iceland  
Ireland  
Italy  
Latvia  
Netherlands

Norway

Poland  
Portugal  
Romania  
Russia  
Serbia  
Slovakia  
Slovenia  
Spain  
Sweden  
Switzerland  
Ukraine

## Our locations in North America

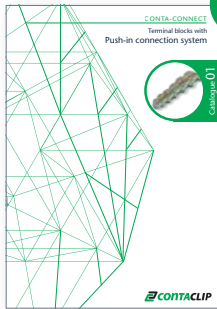
Canada  
Mexico  
United States

## Our locations in South America

Bolivia  
Brazil  
Chile  
Ecuador

# A complete line of products to meet your demands

## The CONTA-CLIP Catalogues



### 01 CONTA-CONNECT

#### Terminal blocks with Push-in connection system

Our wide range of innovative PRK and FRK terminal series with the Push-in connection system include feed-through terminals, PE terminals, disconnect terminals, fused terminals, multi-level terminals, installation terminals and initiator terminals, for conductor cross-sections from 0.2 mm<sup>2</sup> to 25 mm<sup>2</sup>.



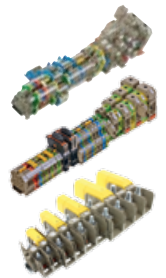
Cat. no. 98070.2



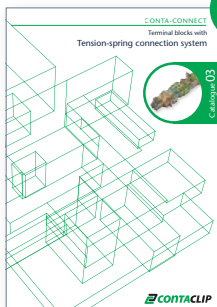
### 02 CONTA-CONNECT

#### Terminal blocks with screw connection system and special terminals

Everything for classic wiring with screw connection systems (also for high currents): SRK feed-through and PE terminals, RK high-temperature variants, TK transformer terminals, HSK high-power stud terminals, SVB series screw distributor blocks, and the modular feed-through terminal systems from the SDK series.



Cat. no. 98071.2



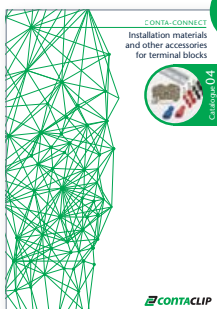
### 03 CONTA-CONNECT

#### Terminal blocks with tension-spring connection system

Our versatile line of terminals with tension spring connection systems for conductor cross-sections from 0.2 mm<sup>2</sup> to 16 mm<sup>2</sup> includes: the ZRK/ZSL series of feed-through and PE terminals, the double-level ZRKD/ZSLD, the ZIKD three-level terminal blocks, motor-connection terminals, (blade-) disconnect terminals, fused terminals, direct-mount terminals, and initiator/actuator terminals for transmitting positioning, encoder and alert signals.



Cat. no. 98072.2



### 04 CONTA-CONNECT

#### Installation materials and other accessories for terminal blocks

Our installation products include cabling ducts, assembly tools, cable glands with metric or PG threads, DIN rails, DIN rail cutters and punching tools. The terminal block accessories include different versions of end stops, wire-end ferrules, and connectors.



Cat. no. 98073.2



### 05 CONTA-LABEL

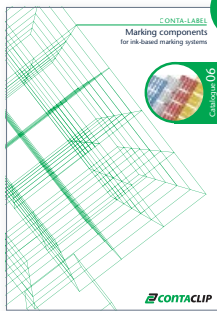
#### Marking components for thermal transfer marking systems

CONTA-CLIP provides the TTPCard thermal-transfer printer and a large selection of PC, PVC and PVCF markers or labels in card format: for professional, permanent labelling of terminals, devices, conductors, cables, facilities and switchgear cabinets.



Cat. no. 98074.2

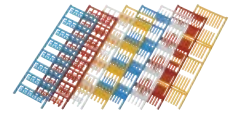
Our catalogues are available in many languages!



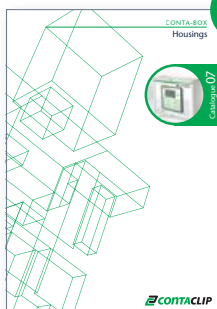
## 06 CONTA-LABEL

### Marking components for ink-based marking systems

The CONTA-LABEL products provide polyamide markers for labelling conductors, cables, devices and facilities with ink print. These markers are available in many shapes and colours: in the classic MC Maxicard format for self-printing with the EMS plotter system EMS or other ink-jet systems, or ready-to-use customized printed in the PMC Pocket-Maxicard format.



Cat. no. 98075.2



## 07 CONTA-BOX

### Housings

Our wide variety of housings made of polystyrene, polycarbonate, polyester, ABS and aluminium deliver solutions for protecting electronic circuits, integrated devices and terminal blocks. On request, the housings can be provided with extensive processing and assembled with our CONTA-CONNECT, CONTA-ELECTRONICS and CONTA-CON product lines.



Cat. no. 98076.2



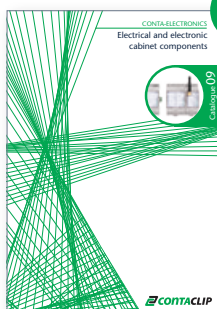
## 08 CABLE MANAGEMENT SYSTEMS

### KDS cable entries, KES cable entries, SAB|SSAB|SABK shielding solutions

The KDS and KES cable entries enable a tool-free, IP66-sealed feed-through for unassembled and assembled cables and hoses. The feed-through openings can be adapted at any time to meet your requirements. The SAB shield-connection clips can be used to provide a reliable shield contact with conductor diameters from 3 mm to 35 mm.



Cat. no. 98077.2



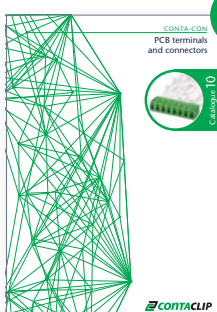
## 09 CONTA-ELECTRONICS

### Electrical and electronic cabinet components

Our CONTA-ELECTRONICS products provide active and passive components for the transfer and conversion of analogue and digital signals at the coupling level. This product line includes power supplies, multi-function timing relays, coupling relays, digital switching modules, interface modules, opto-couplers, signal converters, GSM communication modules and much more.



Cat. no. 98078.2



## 10 CONTA-CON

### PCB terminals and connectors

This catalogue presents our wide variety of CONTA-CON PCB terminal blocks and connector systems. The modular components can be configured for any required number of poles; They are available in the wire connection types: wire protection, eccentric, clamping yoke, and (for demanding operating conditions) with tension-spring or Push-in wire termination.



Cat. no. 98079.2

# KDS-FB

## Cable entry system for flat cables

Supported by:



on the basis of a decision  
by the German Bundestag

Fast. Safe. Turning cables inside out! The KDS-FB cable entry system for flat cables provides you with outstanding versatility and saves you time while managing cables, especially for forklifts, crane systems and elevator applications. The "fish skin" on the seals mechanically surround the inserted flat cable; they ensure optimum tolerance compensation and IP66 protection.

### Attaching the frame

Made from a single mould, the one-piece frame is quick and easy to assemble. It is made of sturdy, glass-fibre reinforced plastic.



### Quickly assembled from the inside out

The frame does not need to be disassembled if your requirements change or if you're carrying out service work.



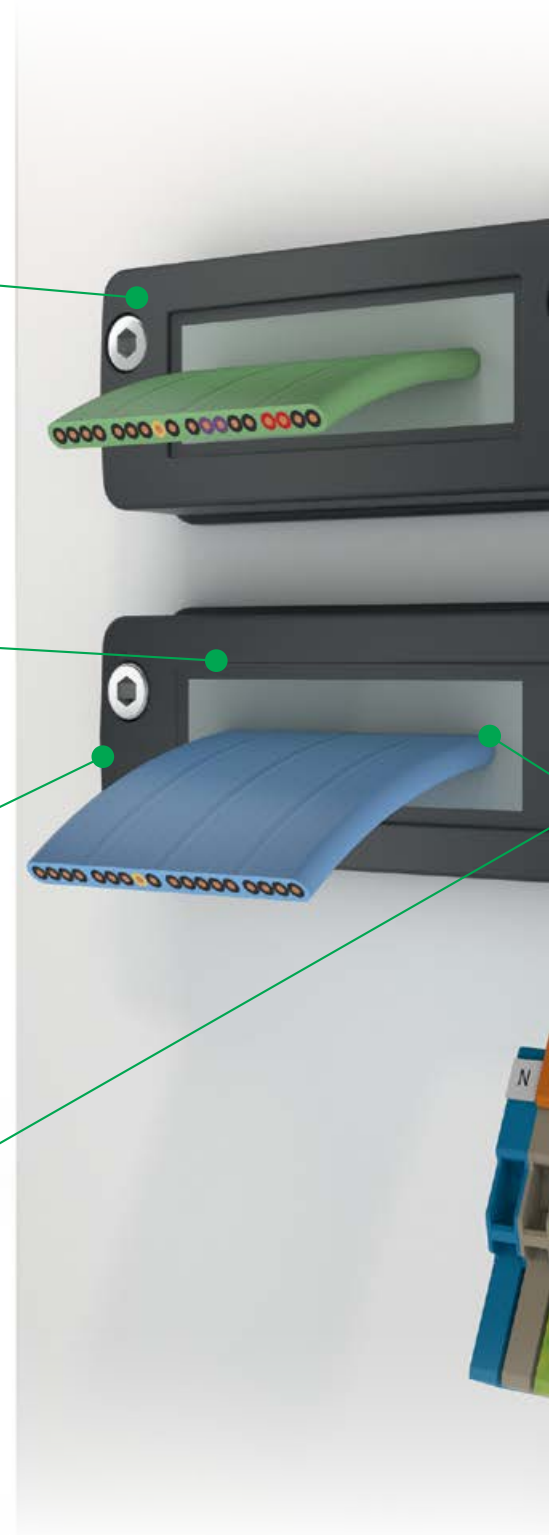
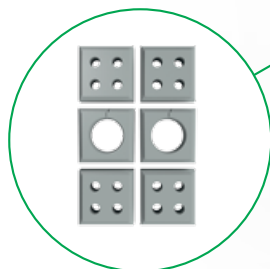
### Captive seal

The moulded-in frame gasket eliminates the risk of incorrect assembly (forgotten gasket) and speeds up the assembly process.



### Seals

The seals' conical shape enables them to be easily pressed in and seals gaps reliably. To attach them, the seals are pressed from the inside outwards into the openings. There are currently over 90 different seals that can be used for sealing cables of various diameters and sizes.







## Your advantages

30% less time required for new installations because of the one-piece frame. Modifications, retrofits, service work or the readjustment of cable lengths can be made at any time without disassembling the frame, since the seals are released from the outside inwards by simply pressing in.



### Versatile, high-density assemblies are possible

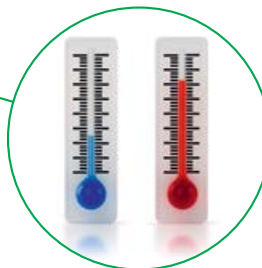
1-way, 2-way, and 4-way seals provide you with excellent versatility for cable management.

**IP66**



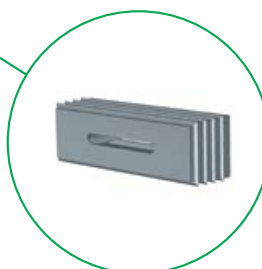
### Outstanding IP66 seal

Multi-resistant, tapered seals feature inner and outer sealing gills.



### Can be used from -40 °C to +120 °C

Materials contain no halogen or silicone, suitable for many different applications.



### Fish skin

The "fish skin" mechanically surrounds the inserted flat cable; this ensures outstanding tolerance compensation and IP66 protection.

# KDS-FB

## Cable entry system for flat cables

Frame	KDS-SR-FB1/A	KDS-SR-FB2/A	KDS-SR-FB2/B
			
<b>Type / colour</b>	KDS-SR-FB1/A BK	KDS-SR-FB2/A BK	KDS-SR-FB2/B BK
<b>Cat. no.</b>	28700.4	28701.4	28702.4
<b>Qty.</b>	10	10	10
<b>Seals (refer to page 14)</b>			
KDS-DE 20 x 20			1 x
KDS-DE-FB1	1 x		1 x
KDS-DE-FB2		1 x	
KDS-DE-FB3			
KDS-DE-FB4			
<b>Accessories</b>			
<b>Actuating tool (refer to page 17)</b>	KDS BW 1	KDS BW 1	KDS BW 1
<b>Cat. no.</b>	28622.0	28622.0	28622.0
<b>Qty.</b>	1	1	1
<b>Sheet-metal puncher (refer to page 19)</b>	BL-VA KDS-FB1	BL-VA KDS-FB2	BL-VA KDS-FB2
<b>Cat. no.</b>	28729.0	28730.0	28730.0
<b>Qty.</b>	1	1	1
Frame	KDS-SR-FB4/A	KDS-SR-FB4/B	KDS-SR-FB4/C
			
<b>Type / colour</b>	KDS-SR-FB4/A BK	KDS-SR-FB4/B BK	KDS-SR-FB4/C BK
<b>Cat. no.</b>	28707.4	28708.4	28709.4
<b>Qty.</b>	10	10	10
<b>Seals (refer to page 14)</b>			
KDS-DE 20 x 20		2 x	1 x
KDS-DE-FB1			2 x
KDS-DE-FB2		1 x	
KDS-DE-FB3			
KDS-DE-FB4	1 x		
<b>Accessories</b>			
<b>Actuating tool (refer to page 17)</b>	KDS BW 1	KDS BW 1	KDS BW 1
<b>Cat. no.</b>	28622.0	28622.0	28622.0
<b>Qty.</b>	1	1	1
<b>Sheet-metal puncher (refer to page 19)</b>	BL-VA KDS-FB4	BL-VA KDS-FB4	BL-VA KDS-FB4
<b>Cat. no.</b>	28732.0	28732.0	28732.0
<b>Qty.</b>	1	1	1



### Features

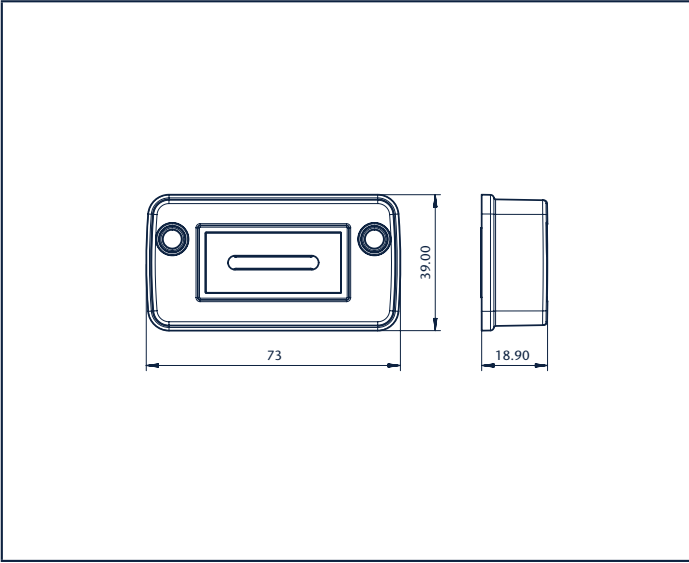
- Material: polyamide PA 6.6, glass-fibre reinforced | TPE
- Colour: black
- Flammability: UL 94 V-0
- Temperature range: -40 °C to +120 °C
- Halogen-free, silicone-free
- Protection: IP66

KDS-SR-FB3/A		KDS-SR-FB3/B		KDS-SR-FB3/C		KDS-SR-FB3/D	
							
KDS-SR-FB3/A BK 28703.4		KDS-SR-FB3/B BK 28704.4		KDS-SR-FB3/C BK 28705.4		KDS-SR-FB3/D BK 28706.4	
10		10		10		10	
		1 x		2 x		2 x	
		1 x				1 x	
1 x							
KDS BW 1 28622.0		KDS BW 1 28622.0		KDS BW 1 28622.0		KDS BW 1 28622.0	
1		1		1		1	
BL-VA KDS-FB3 28731.0		BL-VA KDS-FB3 28731.0		BL-VA KDS-FB3 28731.0		BL-VA KDS-FB3 28731.0	
1		1		1		1	
KDS-SR-FB4/D		KDS-SR-FB4/E		KDS-SR-FB4/F			
							
KDS-SR-FB4/D BK 28710.4		KDS-SR-FB4/E BK 28711.4		KDS-SR-FB4/F BK 28712.4			
10		10		10			
3 x				5 x			
1 x		1 x					
		1 x					
KDS BW 1 28622.0		KDS BW 1 28622.0		KDS BW 1 28622.0			
1		1		1			
BL-VA KDS-FB4 28732.0		BL-VA KDS-FB4 28732.0		BL-VA KDS-FB4 28732.0			
1		1		1			

# KDS-FB: dimensional drawings / mounting cut-outs

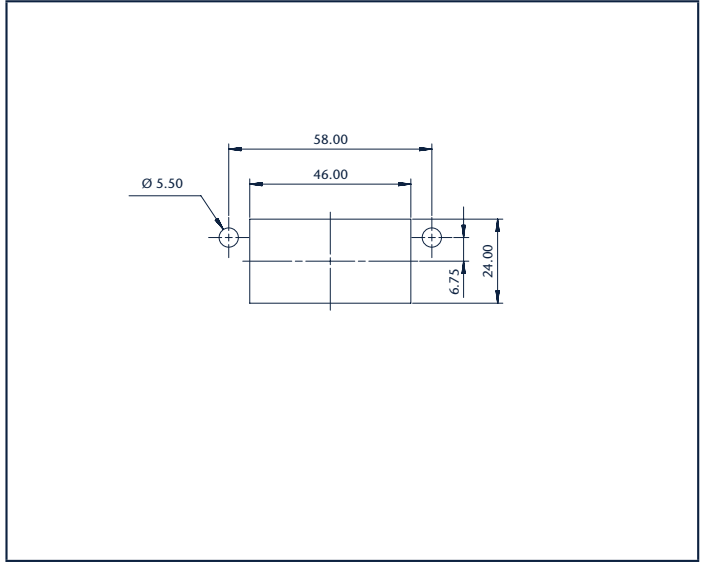
## KDS-SR-FB1

### Dimension diagram



Torque for the frame's mounting screw: 3 Nm

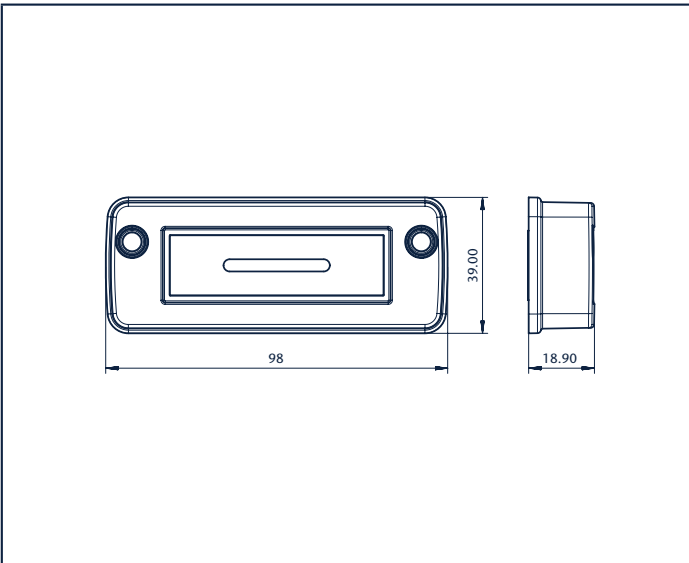
### Mounting cut-out



Screw for usage: ISO 4762 / DIN 912

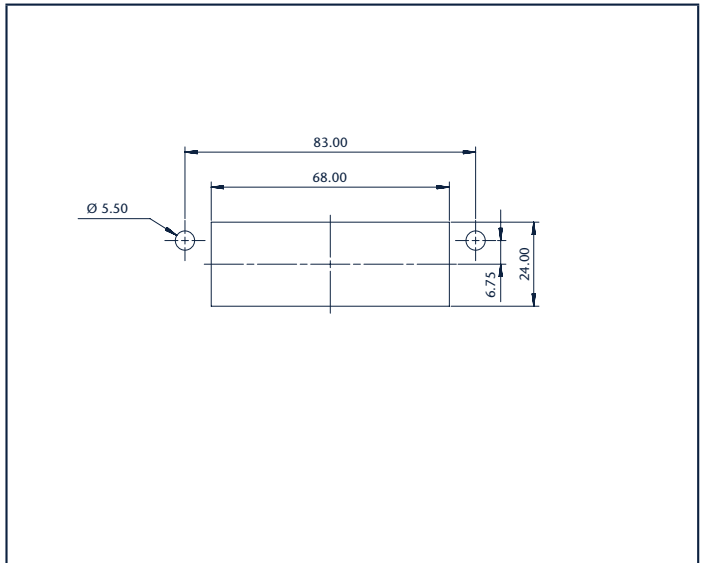
## KDS-SR-FB2

### Dimension diagram



Torque for the frame's mounting screw: 3 Nm

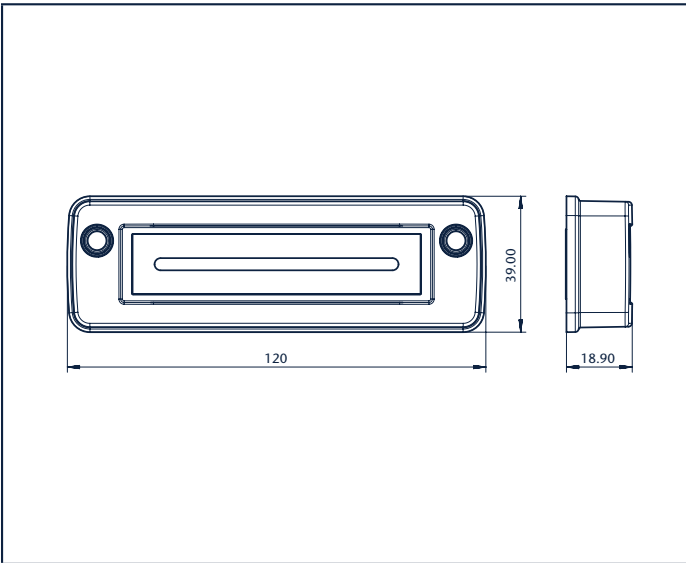
### Mounting cut-out



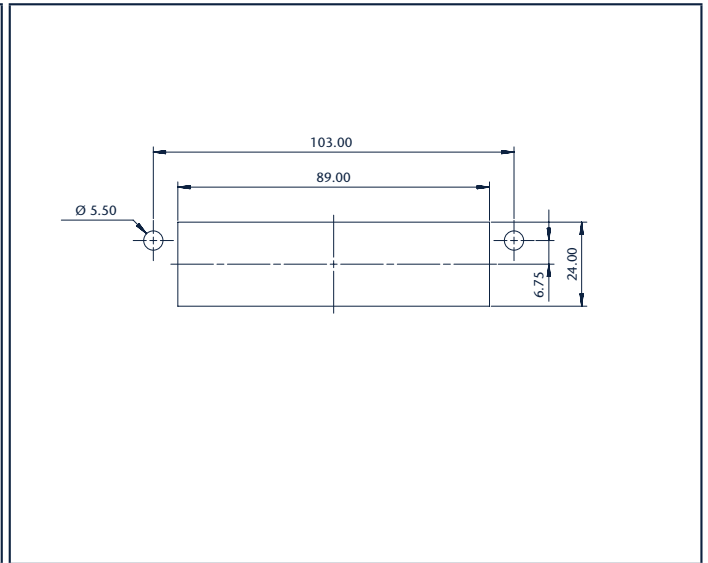
Screw for usage: ISO 4762 / DIN 912

**KDS-SR-FB3**

Dimension diagram



Mounting cut-out

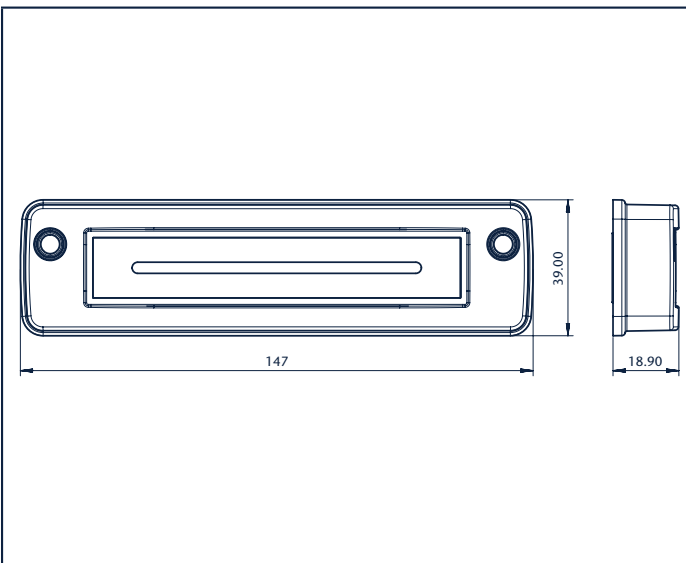


Torque for the frame's mounting screw: 3 Nm

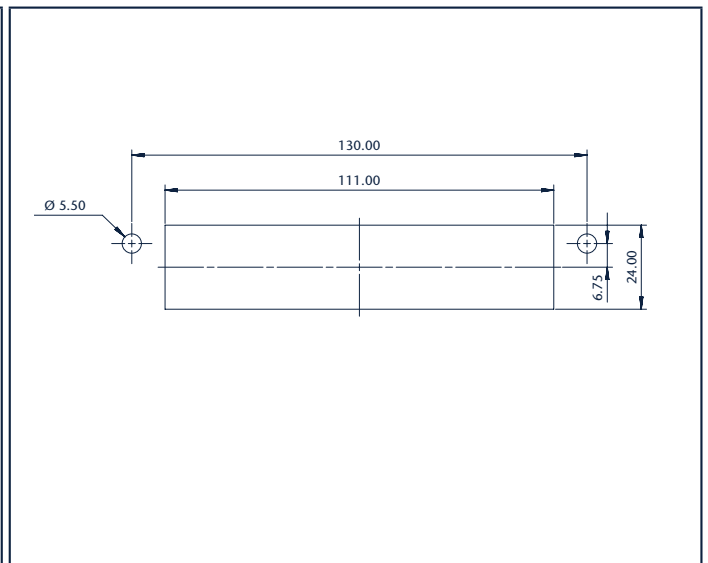
Screw for usage: ISO 4762 / DIN 912

**KDS-SR-FB4**

Dimension diagram



Mounting cut-out



Torque for the frame's mounting screw: 3 Nm

Screw for usage: ISO 4762 / DIN 912

# Seals for KDS-FB

Seals		KDS-DE-FB1/A	KDS-DE-FB1/B	KDS-DE-FB1/C
				
Type / colour		KDS-DE-FB1/A GR	KDS-DE-FB1/B GR	KDS-DE-FB1/C GR
Cat. no.	Qty.	28713.6	28714.6	28715.6
Sealing area			Thickness: 19 ... 23 mm Width: 5.5 ... 6 mm	Thickness: 28 ... 33 mm Width: 5.5 ... 6 mm
Seals		KDS-DE-FB2/B	KDS-DE-FB2/C	KDS-DE-FB2/D
				
Type / colour		KDS-DE-FB2/B GR	KDS-DE-FB2/C GR	KDS-DE-FB2/D GR
Cat. no.	Qty.	28720.6	28721.6	28722.6
Sealing area		Thickness: 32.5 ... 38 mm Width: 5 ... 5.5 mm	Thickness: 45 ... 50.5 mm Width: 6 ... 6.5 mm	Thickness: 47 ... 52 mm Width: 6 ... 6.5 mm
Seals		KDS-DE-FB1/A	KDS-DE-FB4/B	
				
Type / colour		KDS-DE-FB4/A GR	KDS-DE-FB4/B GR	
Cat. no.	Qty.	28727.6	28727.6	
Sealing area			Thickness: 85 ... 99 mm Width: 4.2 ... 5.2 mm	

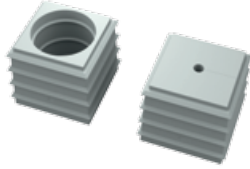
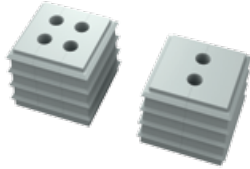



## Features

- Material: TPE
- Flammability: UL 94 V-0
- Temperature range: -40 °C to +90 °C (static)
- Halogen-free, silicone-free
- Protection: IP66

<b>KDS-DE-FB1/D</b>	<b>KDS-DE-FB1/E</b>	<b>KDS-DE-FB1/F</b>	<b>KDS-DE-FB2/A</b>
			
<b>KDS-DE-FB1/D GR</b> 28716.6 5 Thickness: 24 ... 30 mm Width: 8.5 ... 9 mm	<b>KDS-DE-FB1/E GR</b> 28717.6 5 Thickness: 19 ... 24 mm Width: 6.5 ... 7 mm	<b>KDS-DE-FB1/F GR</b> 28718.6 5 Thickness: 28 ... 33 mm Width: 9 ... 9.5 mm	<b>KDS-DE-FB2/A GR</b> 28719.6 5
<b>KDS-DE-FB2/E</b>	<b>KDS-DE-FB2/F</b>	<b>KDS-DE-FB3/A</b>	<b>KDS-DE-FB3/B</b>
			
<b>KDS-DE-FB2/E GR</b> 28723.6 5 Thickness: 38 ... 43 mm Width: 12.5 ... 13 mm	<b>KDS-DE-FB2/F GR</b> 28724.6 5 Thickness: 49 ... 54 mm Width: 5 ... 6 mm	<b>KDS-DE-FB3/A GR</b> 28725.6 5	<b>KDS-DE-FB3/B GR</b> 28726.6 5 Thickness: 72 ... 77 mm Width: 5 ... 5.5 mm

# Seals for all KDS systems

Seals		grey small		
	Type	Cat. no.	Qty.	Max. Ø
	KDS-DE/B GR	28561.6	10	Blind
	KDS-DE 1.5 GR	28694.6	10	1.5 mm
	KDS-DE 1.5-2 GR	28562.6	10	2 mm
	KDS-DE 2 GR	28696.6	10	2 mm
	KDS-DE 2-3 GR	28563.6	10	3 mm
	KDS-DE 3 GR	28698.6	10	3 mm
	KDS-DE 3-4 GR	28564.6	10	4 mm
	KDS-DE 4-5 GR	28565.6	10	5 mm
	KDS-DE 5-6 GR	28566.6	10	6 mm
	KDS-DE 6-7 GR	28567.6	10	7 mm
	KDS-DE 7-8 GR	28568.6	10	8 mm
	KDS-DE 8-9 GR	28569.6	10	9 mm
	KDS-DE 9-10 GR	28570.6	10	10 mm
	KDS-DE 10-11 GR	28571.6	10	11 mm
	KDS-DE 11-12 GR	28572.6	10	12 mm
	KDS-DE 12-13 GR	28573.6	10	13 mm
KDS-DE 13-14 GR	28574.6	10	14 mm	
KDS-DE 14-15 GR	28609.6	10	15 mm	
KDS-DE 15-16 GR	28671.6	10	16 mm	
Seals with multiple holes		grey		
	KDS-DE 2 x 4-5 GR	28595.6	10	5 mm
	KDS-DE 2 x 5-6 GR	28596.6	10	6 mm
	KDS-DE 2 x 6.5 GR	28607.6	10	6.5 mm
	KDS-DE 2 x 7 GR	28690.6	10	7 mm
	KDS-DE 2 x 8 GR	28692.6	10	8 mm
	KDS-DE 3 x 5-6 GR	28688.6	10	6 mm
	KDS-DE 4 x 2-3 GR	28597.6	10	3 mm
	KDS-DE 4 x 3-4 GR	28598.6	10	4 mm
	KDS-DE 4 x 4.5 GR	28606.6	10	4.5 mm
	KDS-DE 4 x 5 GR	28673.6	10	5 mm
Seals for AS interface cables		grey		
	KDS-DE/1 x ASI GR	28599.6	10	
	KDS-DE/2 x ASI GR	28600.6	10	



IP66

NEMA  
TYPE  
12NEMA  
TYPE  
4XECOLAB  
certifiedRoHS  
compliantMade in  
Germany

## Features

- Material: TPE
- Flammability: UL 94 V-0
- Temperature range: -40 °C to +90 °C (static)
- Halogen-free, silicone-free
- Protection: IP66



# Actuating tool KDS BW 1

Using the KDS BW1 actuating tool, the seals can be conveniently mounted in and dismantled from the frame. The ergonomic grip and the special shape enable simple and precise installations, especially for cabling applications in confined spaces.



Actuating tool		KDS BW 1	
			
Type		KDS BW 1	
Cat. no.		28622.0	1
Description	Qty.	Actuating tool	
Material		PA 6.6	
Colour		varies	



# Tools

## Hydraulic foot pump

The hydraulic foot pump is compatible with all standard square, rectangular and custom-shaped sheet metal holes. When using the foot pump, the operator has both hands free to precisely position and make the punch on the switchgear cabinet. The support frame straddles the foot pump; this ensures that it will not tip over or shake during operations.



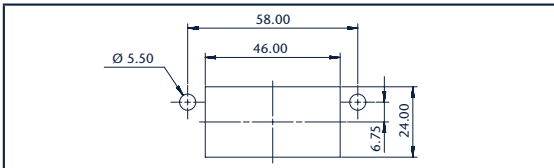
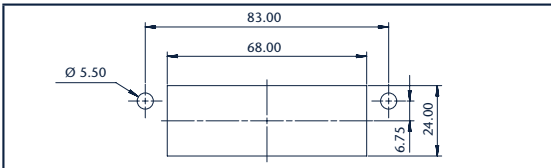
## Hydraulic hand pump


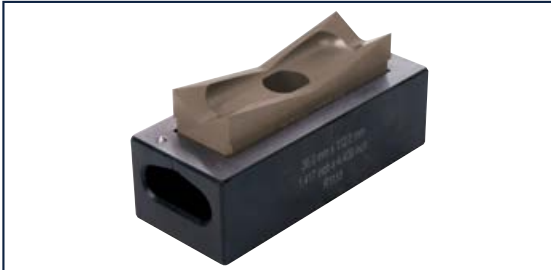
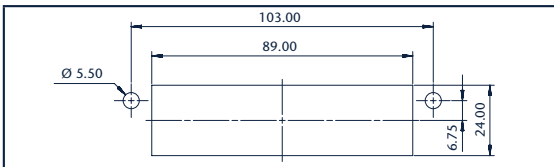
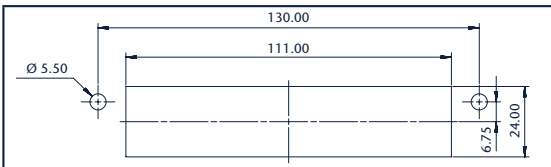
The hydraulic hand pump is compatible with all standard square, rectangular and custom-shaped sheet metal holes. By using a 60-cm long hydraulic hose, punching can also be carried out in cramped installation conditions.

Hydraulic pumps		Hydraulic foot pump	Hydraulic hand pump
			
Type		Hydraulic foot pump for sheet-metal puncher	Hydraulic hand pump for sheet-metal puncher
Cat. no.	Qty.	28678.0	28679.0
Consisting of		1	1
		One hydraulic cylinder with quick coupling	One Compact Flex™ manual hydraulic punch
		One hydraulic hose (2.8 m)	One draw bolt Ø 19.0
		One draw bolt Ø 19.0 and 19.0 x 9.5 mm	One draw bolt Ø 19.0 x 9.5 mm
		One spacer set (5-piece)	One HSS primary reamer (Ø 11.0 mm)
		One primary reamer (Ø 11.0 mm)	One spacer set (3-piece)
Features			
Tank capacity		270 cm <sup>3</sup>	
Usable oil volume		210 cm <sup>3</sup>	
Discharge flow		1.7 cm <sup>3</sup> per piston stroke	
Max. operating pressure		700 bar	680 bar
Punching force		75 kN	75 kN
Hydraulic hose length		2.8 m	0.6 m
Weight		13.0 kg	2.0 kg

### Sheet-metal puncher for KDS/KES break-outs

Using the sheet-metal puncher, you can produce the desired break-outs, without any chips, in just a few minutes. The built-in punch-hole marking tip can be used to punch-mark the drill points clearly for the screw-on attachment. These sheet-metal punchers are compatible with all common hydraulic pumps.

Sheet-metal puncher		BL-VA KDS-FB1	BL-VA KDS-FB2
			
Diagram			
Type		BL-VA KDS-FB1	BL-VA KDSFB2
Cat. no.	Qty.	28729.0	28730.0
Max. material thickness		2.0, with stainless steel sheet	2.0 mm, with stainless steel sheet
Suitable for		KDS-FB1 ...	KDS-FB2 ...

Sheet-metal puncher		BL-VA KDS-FB3	BL-VA KDS-FB4
			
Diagram			
Type		BL-VA KDS-FB3	BL-VA KDS-FB4
Cat. no.	Qty.	28731.0	28732.0
Max. material thickness		2.0 mm, with stainless steel sheet	2.0 mm, with stainless steel sheet
Suitable for		KDS-FB3 ...	KDS-FB4 ...

Cat. no.	KDS-SR-FB1/A BK 28700.4	KDS-SR-FB2/A BK 28701.4	KDS-SR-FB2/B BK 28702.4	KDS-SR-FB3/A BK 28703.4	KDS-SR-FB3/B BK 28704.4	KDS-SR-FB3/C BK 28705.4
						
						
						
						
						
						
						
<b>KDS-DE-FB1/A GR</b> 28713.6	•		•		•	
						
<b>KDS-DE-FB1/B GR</b> 28714.6	•		•			•
						
<b>KDS-DE-FB1/C GR</b> 28715.6	•		•			•
						
<b>KDS-DE-FB1/D GR</b> 28716.6	•		•			•
						
<b>KDS-DE-FB1/E GR</b> 28717.6	•		•			•
						
<b>KDS-DE-FB1/F GR</b> 28718.6	•		•			•
						
<b>KDS-DE-FB2/A GR</b> 28719.6		•			•	
						
<b>KDS-DE-FB2/B GR</b> 28720.6		•			•	
						
<b>KDS-DE-FB2/C GR</b> 28721.6		•			•	
						
<b>KDS-DE-FB2/D GR</b> 28722.4		•			•	
						
<b>KDS-DE-FB2/E GR</b> 28723.6		•			•	
						
<b>KDS-DE-FB2/F GR</b> 28724.6		•			•	
						
<b>KDS-DE-FB3/A GR</b> 28725.6				•		
						
<b>KDS-DE-FB3/B GR</b> 28726.6				•		
						
<b>KDS-DE-FB4/A GR</b> 28727.6						
						
<b>KDS-DE-FB4/B GR</b> 28728.6						

\* An overview of all seals with the external dimensions 20 x 20 can be found on page 16.



More innovative products for cable management can be found in our Cable Management Systems 08 sub-catalogue.

## KDSClick Modular cable entry system

### Revolutionary cable entry systems

Fast. Safe. Turning cables inside out! The KDSClick cable entry system is a cable management solution for switchgear cabinets, housings and machines that features secure seals and strain relief for pre-assembled and non-assembled cables – with or without connectors. KDSClick saves you time and provides you with maximum versatility.



## KDS-FP Flange plates

### New versatility for managing cables

The new KDS-FP flange plate provides manufacturers of machines with a very cost-effective, convenient feed-through solution. It can be used to adapt housings and switchgear cabinets to fit your updated requirements at any time, and can also considerably simplify your warehousing. You no longer have to stock switchgear cabinets or distributors with different configurations of assembled cable and cable outlets. Instead, you can uniformly prepare your products with the flange plate and then adapt them at any time to your specific cabling or tubing requirements. In the future, CONTA-CLIP will also offer the flange plates of the KDS-FP series in other configurations. Your advantage is that you save money by requiring fewer variants.



It's easy.  
It's quick.  
It's **KDSClick.**

## KES cable entries

When feeding in non-assembled cables, lines and pneumatic hoses (without connected plugs), CONTA-CLIP has a wide range of products that offer alternatives to cable glands or single-membrane feed-throughs.

The KES cable entries are very flat; they enable space-saving professional cable entries with a very tight seal. Due to its high assembly density, the KES system is well suited for applications where the installations must be carried out in confined spaces.



## KDS-KV Separable cable glands

### All-round Solutions!

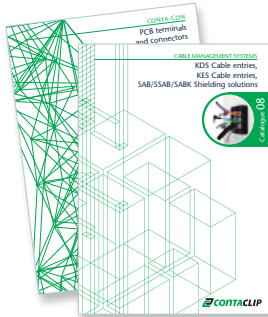
All-round "cornered" solutions for your requirements! For metric break-outs from M20 to M63, CONTA-CLIP provides separable cable glands for cables with or without attached plugs. In case of maintenance or retrofitting with assembled cable harnesses, cables with diameters from 2 to 35 mm can be quickly and safely inserted into the switchgear cabinets or housings and sealed according to IP66. This separable system ensures quick and simple installation. The slitted seal has a wave-cut profile that ensures a reliable seal and a totally secure attachment. The seal is first placed around the cable and then inserted in one of the two halves of the cable gland. After inserting the seals, the two halves of the cable gland are simply snapped together. A locknut (which can also be separated) on the inside of the cabinet ensures a safe and secure attachment.



Otto-Hahn-Str. 7  
D-33161 Hövelhof,  
Germany

Phone +49 (0) 5257 9833-0  
Fax +49 (0) 5257 9833-33

info@conta-clip.com  
www.conta-clip.com



Our products for your challenges:

**01 CONTA-CONNECT**  
Terminal blocks  
with Push-In connection system  
Cat. no. 98070.2

**02 CONTA-CONNECT**  
Terminal blocks with screw connection  
system and special terminals  
Cat. no. 98071.2

**03 CONTA-CONNECT**  
Terminal blocks with tension-spring  
connection system  
Cat. no. 98072.2

**04 CONTA-CONNECT**  
Installation materials and  
other accessories for terminal blocks  
Cat. no. 98073.2

**05 CONTA-LABEL**  
Marking components  
for thermal-transfer marking systems  
Cat. no. 98074.2

**06 CONTA-LABEL**  
Marking components  
for ink-based marking systems  
Cat. no. 98075.2

**07 CONTA-BOX**  
Housings  
Cat. no. 98076.2

**08 Cable management systems**  
KDS cable entries,  
KES cable entries,  
SAB/SSAB/SABK shielding solutions  
Cat. no. 98077.2

**09 CONTA-ELECTRONICS**  
Electrical and electronic cabinet components  
Cat. no. 98078.2

**10 CONTA-CON**  
PCB terminals and connectors  
Cat. no. 98079.2