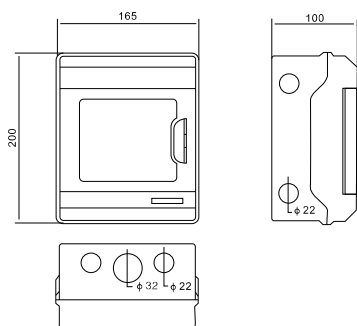
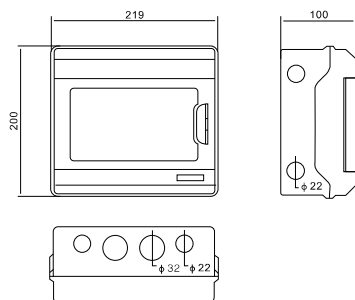


It is apply for special waterproof, dustproof and corrosion-proof location
 Standard: IEC60529 EN 60309 IP65, ABS fireproof/UV,VO,PC material, single/double copperlink terminal available

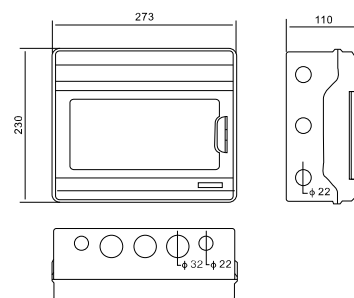
MS-6P



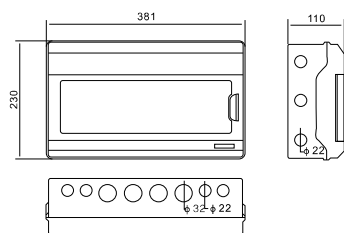
MS-8P



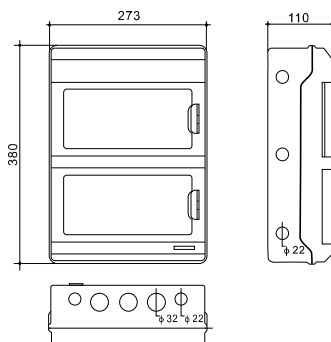
MS-12P



MS-18P



MS-24P



MS-36P

