

Data Sheet for Article: MM216874--

Selector switch, 2 pos, stay-put, clamp handle, V 60°

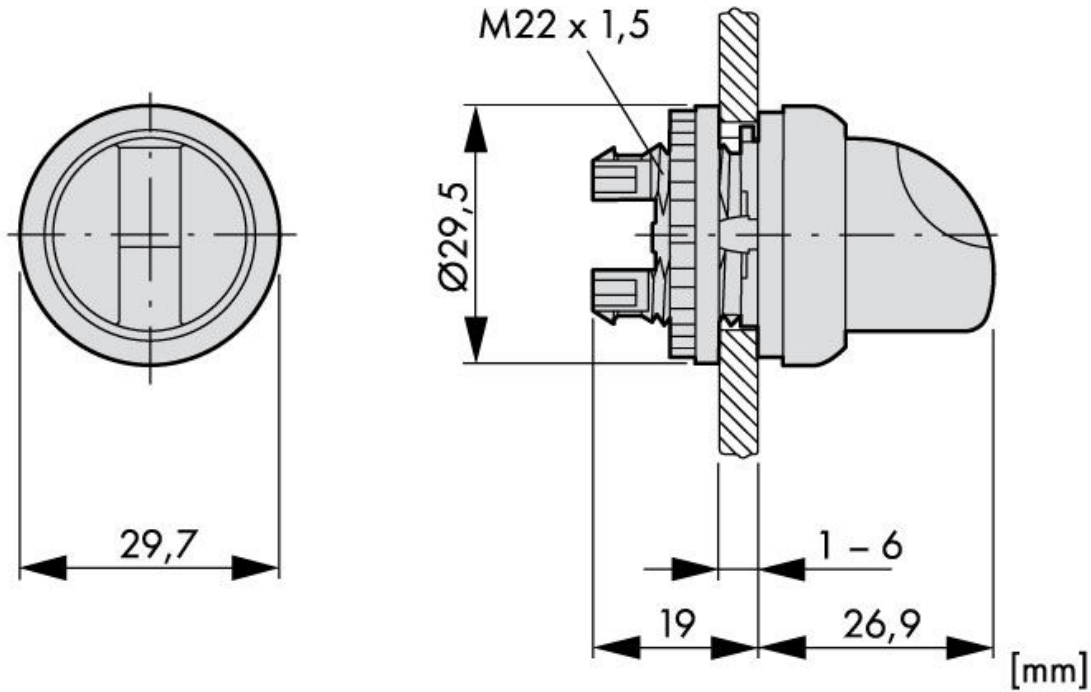
IP66



Technical Data

Series	MM
Handle type	Toggle
Illumination	non-illuminated
Switching positions	0-I
Make-up	others
Function	latching
IP Rating	IP66
shock resistance	30G
Ambient temperature Open (°C)	-25°C...+70°C
Climatic proofing	Damp heat, constant, to IEC 60068-2-78 Damp heat, cyclic, to IEC 60068-2-30
Standards	IEC/EN 60947, VDE 0660
Tightening torque (Nm)	0,30
Lifespan, mechanical	100000 Operations
Operating frequency	< 2000 Operations
Mounting position	any
Type No.	M22-WKV

Maßbild



Article Table

DESCRIPTION	Order No.
Selector switch, 2 pos, stay-put, clamp handle, V 60° IP66	MM216874