

Data Sheet for Article: MM216710--

# Double push-button, illuminated, black/ black, `ARROWS`

IP66



## Technical Data

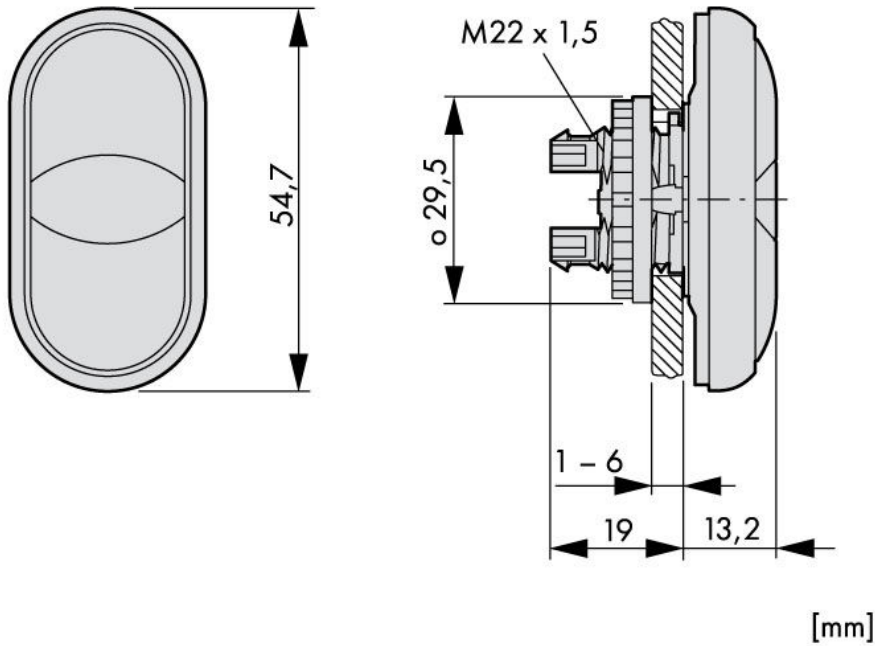
Series	MM
Illumination	illuminated
Colour	Black
Make-up	double pushbuttons
Function	spring-return
IP Rating	IP66
Necessary Accessories	MM216374--;MM216376--;MM216378--
Optional Accessories	MM216396--
shock resistance	30G
Ambient temperature Open (°C)	-25°C...+70°C
Climatic proofing	Damp heat, constant, to IEC 60068-2-78 Damp heat, cyclic, to IEC 60068-2-30
Standards	IEC/EN 60947, VDE 0660
Actuating force (N)	5
Lifespan, mechanical	200000 Operations
Operating frequency	&lt; 3600 Operations
Mounting position	any

## Technical Data - continued

Type No.

M22-DDL-S-X7/X7

## Maßbild



## Article Table

DESCRIPTION	Order No.
Double push-button, illuminated, black/black, 'ARROWS' IP66	MM216710
<b>Necessary Accessories</b>	
Adapter ( front)	MM216374
NO contact block front mount	MM216376
NC contact block front mount	MM216378
<b>Optional Accessories</b>	
Diaphragm for double push-button	MM216396