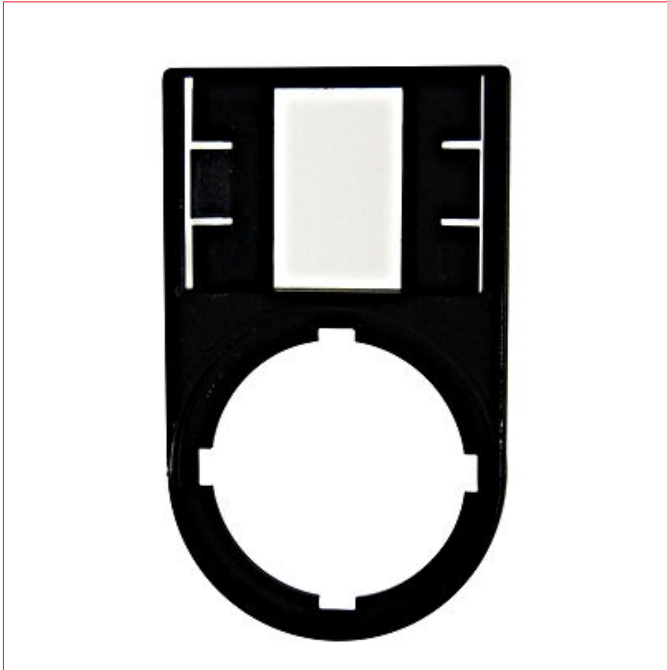


Data Sheet for Article: MM216392--

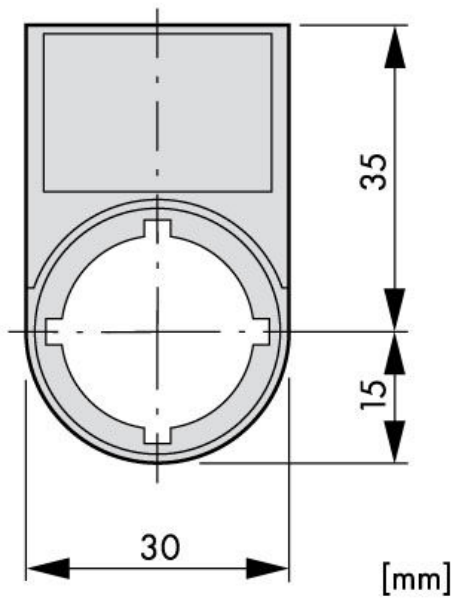
plate holder black, without plate



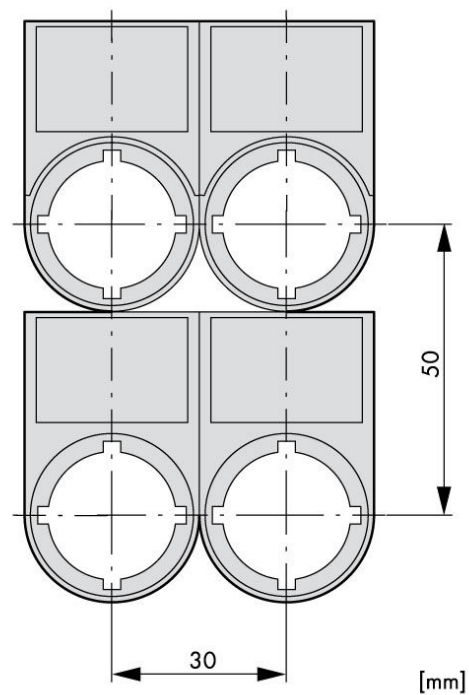
Technical Data

Series	MM
Illumination	non-illuminated
Make-up	Labeling material
shock resistance	30G
Ambient temperature Open (°C)	-25°C...+70°C
Climatic proofing	Damp heat, constant, to IEC 60068-2-78 Damp heat, cyclic, to IEC 60068-2-30
Standards	IEC/EN 60947, VDE 0660
Mounting position	any
Type No.	M22S-ST-X

Maßbild



Maßbild



Article Table

DESCRIPTION	Order No.
plate holder black, without plate	MM216392