

Data Sheet for Article: MM216497--

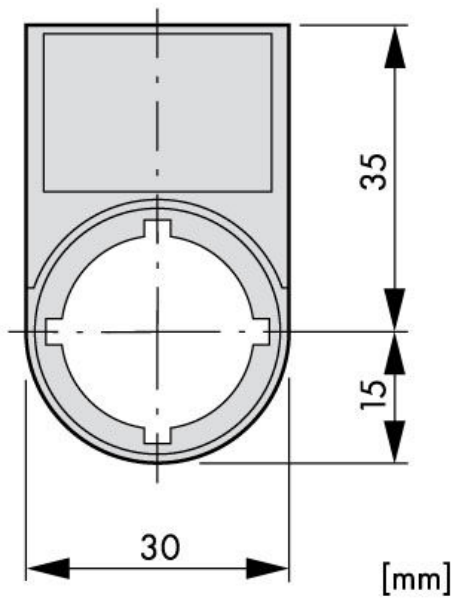
Label Plate with Label 30x50 : RUN



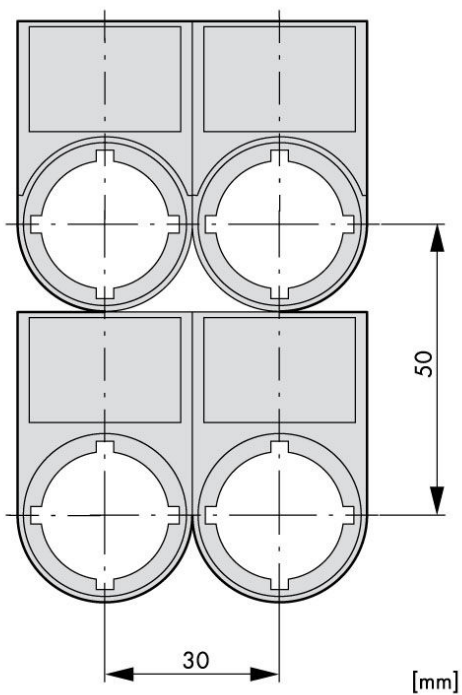
Technical Data

| | |
|-------------------------------|--|
| Series | MM |
| Illumination | non-illuminated |
| Make-up | Labeling material |
| shock resistance | 30G |
| Ambient temperature Open (°C) | -25°C...+70°C |
| Climatic proofing | Damp heat, constant, to IEC 60068-2-78 Damp heat, cyclic, to IEC 60068-2-30 |
| Standards | IEC/EN 60947, VDE 0660 |
| Mounting position | any |
| Type No. | M22S-ST-GB7 |

Maßbild



Maßbild



Article Table

| DESCRIPTION | Order No. |
|------------------------------------|-----------|
| Label Plate with Label 30x50 : RUN | MM216497 |