

Data Sheet for Article: MM216636--

# Push-button extended, spring-return, black

IP67



## Technical Data

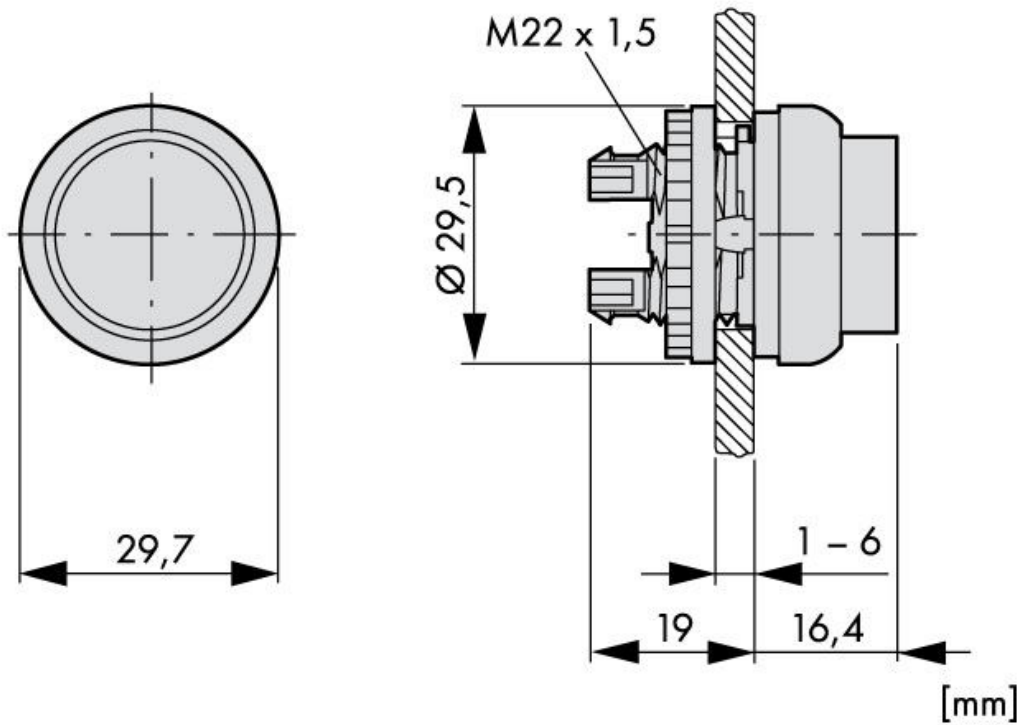
Series	MM
Version	high
Illumination	non-illuminated
Colour	Black
Make-up	pushbuttons
Function	spring-return
IP Rating	IP69K IP67
Necessary Accessories	MM216374--;MM216376--;MM216378--
Optional Accessories	MM216395--
shock resistance	30G
Ambient temperature Open (°C)	-25°C...+70°C
Climatic proofing	Damp heat, constant, to IEC 60068-2-78 Damp heat, cyclic, to IEC 60068-2-30
Standards	IEC/EN 60947, VDE 0660
Actuating force (N)	5
Lifespan, mechanical	5000000 Operations
Operating frequency	&lt; 3600 Operations
Mounting position	any

## Technical Data - continued

Type No.

M22-DH-S

## Maßbild



## Article Table

DESCRIPTION	Order No.
Push-button extended, spring-return, black IP67	MM216636
<b>Necessary Accessories</b>	
Adapter ( front)	MM216374
NO contact block front mount	MM216376
NC contact block front mount	MM216378
<b>Optional Accessories</b>	
Diaphragm, flat push-but.+indic.light	MM216395