

Data Sheet for Article: MM216641--

Push-button extended, spring-return, red

IP67



Technical Data

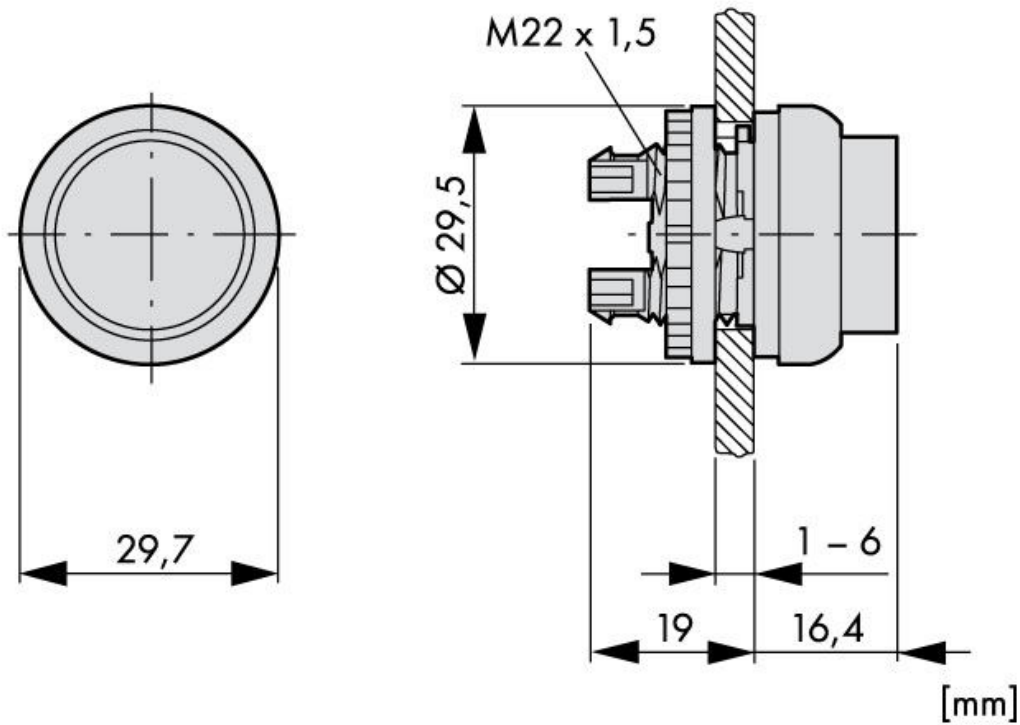
Series	MM
Version	high
Illumination	non-illuminated
Colour	Red
Make-up	pushbuttons
Function	spring-return
IP Rating	IP69K IP67
Necessary Accessories	MM216374--;MM216376--;MM216378--
Optional Accessories	MM216395--
shock resistance	30G
Ambient temperature Open (°C)	-25°C...+70°C
Climatic proofing	Damp heat, constant, to IEC 60068-2-78 Damp heat, cyclic, to IEC 60068-2-30
Standards	IEC/EN 60947, VDE 0660
Actuating force (N)	5
Lifespan, mechanical	5000000 Operations
Operating frequency	< 3600 Operations
Mounting position	any

Technical Data - continued

Type No.

M22-DH-R

Maßbild



Article Table

DESCRIPTION	Order No.
Push-button extended, spring-return, red IP67	MM216641
Necessary Accessories	
Adapter (front)	MM216374
NO contact block front mount	MM216376
NC contact block front mount	MM216378
Optional Accessories	
Diaphragm, flat push-but.+indic.light	MM216395