

Data Sheet for Article: MM216751--

Mushroom push-button, stay-put, red `0`

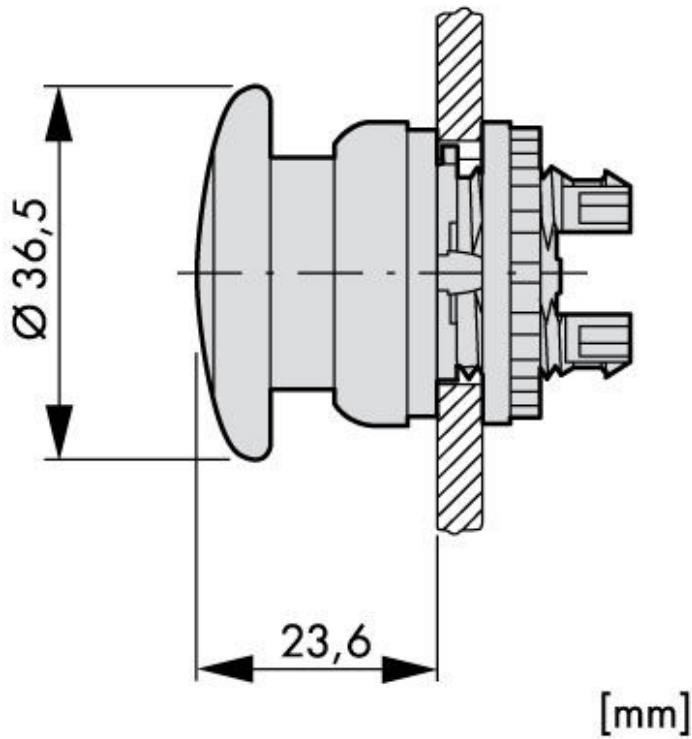
IP67



Technical Data

Series	MM
Illumination	non-illuminated
Colour	Red
Make-up	Mushroom pushbuttons
Function	latching
IP Rating	IP69K IP67
Necessary Accessories	MM216374--;MM216376--;MM216378--
shock resistance	30G
Ambient temperature Open (°C)	-25°C...+70°C
Climatic proofing	Damp heat, constant, to IEC 60068-2-78 Damp heat, cyclic, to IEC 60068-2-30
Standards	IEC/EN 60947, VDE 0660
Actuating force (N)	5
Lifespan, mechanical	1000000 Operations
Operating frequency	< 1800 Operations
Mounting position	any
Type No.	M22-DRP-R-X0

Maßbild



Article Table

DESCRIPTION	Order No.
Mushroom push-button, stay-put, red `0` IP67	MM216751
Necessary Accessories	
Adapter (front)	MM216374
NO contact block front mount	MM216376
NC contact block front mount	MM216378