

Data Sheet for Article: MM216778--

# Indicator light extended/conical, white

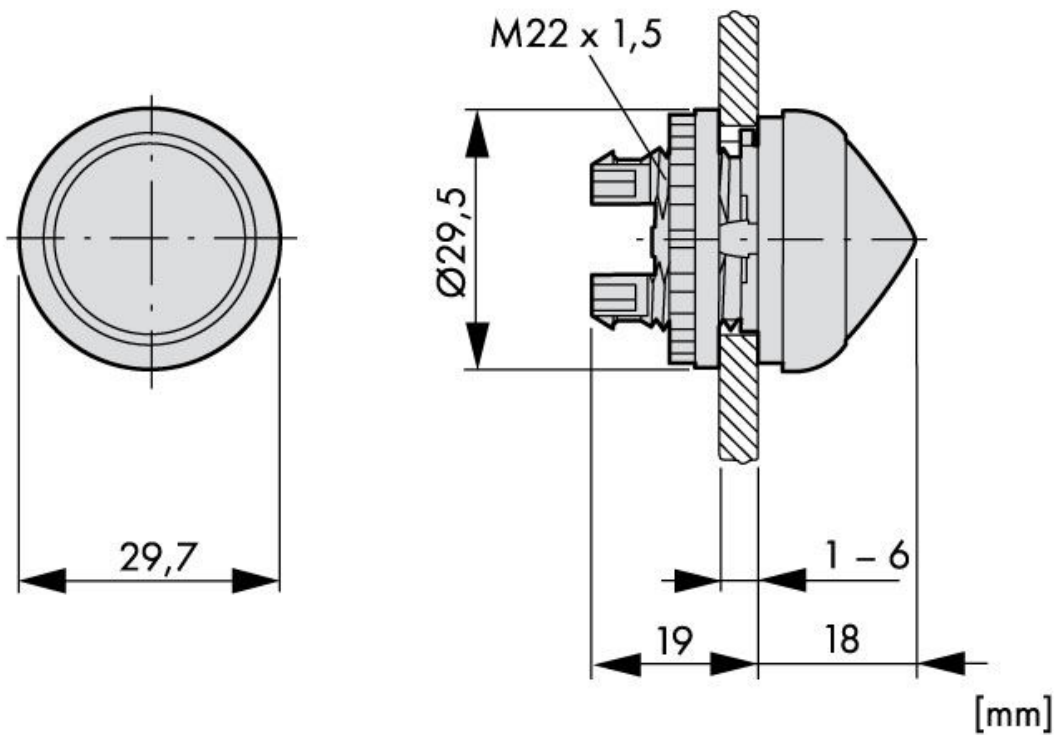
IP67



## Technical Data

Series	MM
Version	high
Illumination	illuminated
Colour	White
Make-up	Indicator light
IP Rating	IP65
Necessary Accessories	MM216374--
Rated impulse withstand voltage [Uimp] (V)	4000
Rated insulation voltage [Ui] (V)	250
Overtoltage category/pollution degree	III / 3
shock resistance	30G
Ambient temperature Open (°C)	-25°C...+70°C
Climatic proofing	Damp heat, constant, to IEC 60068-2-78 Damp heat, cyclic, to IEC 60068-2-30
Standards	IEC/EN 60947, VDE 0660
Mounting position	any
Type No.	M22-LH-W

## Maßbild



## Article Table

DESCRIPTION	Order No.
Indicator light extended/conical, white IP67	MM216778
<b>Necessary Accessories</b>	
Adapter ( front)	MM216374