

Data Sheet for Article: MM216855--

Knob switch, 2 pos. 60° stay-put, 'I/O', rotary head

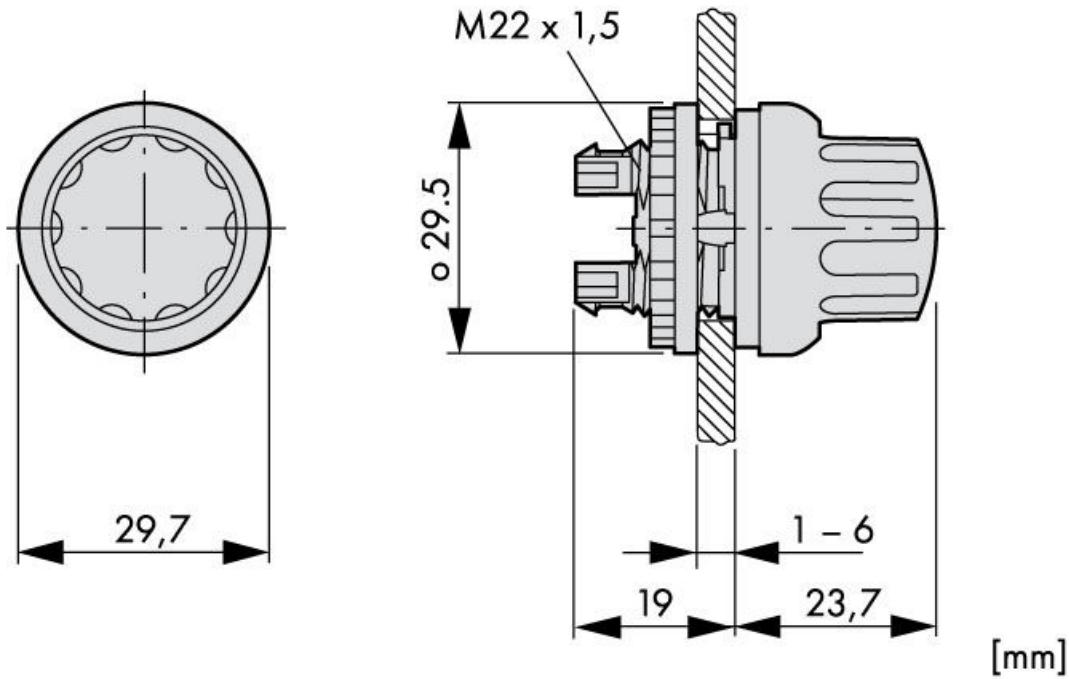
IP66



Technical Data

| | |
|-------------------------------|--|
| Series | MM |
| Handle type | Drehknopf |
| Illumination | non-illuminated |
| Switching positions | 0-I |
| Make-up | others |
| Function | latching |
| IP Rating | IP66 |
| shock resistance | 30G |
| Ambient temperature Open (°C) | -25°C...+70°C |
| Climatic proofing | Damp heat, constant, to IEC 60068-2-78 Damp heat, cyclic, to IEC 60068-2-30 |
| Standards | IEC/EN 60947, VDE 0660 |
| Tightening torque (Nm) | 0,30 |
| Lifespan, mechanical | 100000 Operations |
| Operating frequency | < 2000 Operations |
| Mounting position | any |
| Type No. | M22-WR |

Maßbild



Article Table

| DESCRIPTION | Order No. |
|--|-----------|
| Knob switch, 2 pos. 60° stay-put, '1/0', rotary head IP66 | MM216855 |