

Data Sheet for Article: MM216969--

# Illuminated Push-button, extended, spring-return, green

IP67



## Technical Data

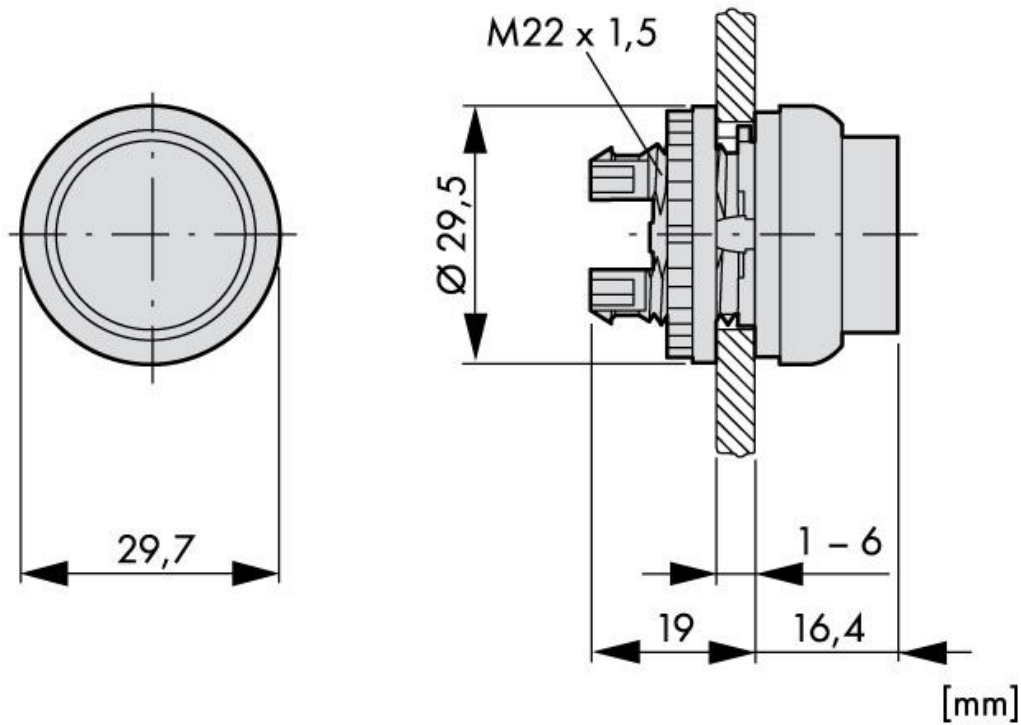
Series	MM
Version	high
Illumination	illuminated
Colour	Green
Make-up	illuminated pushbutton
Function	spring-return
IP Rating	IP69K IP67
shock resistance	30G
Ambient temperature Open (°C)	-25°C...+70°C
Climatic proofing	Damp heat, constant, to IEC 60068-2-78 Damp heat, cyclic, to IEC 60068-2-30
Standards	IEC/EN 60947, VDE 0660
Actuating force (N)	5
Lifespan, mechanical	5000000 Operations
Operating frequency	&lt; 3600 Operations
Mounting position	any

## Technical Data - continued

Type No.

M22-DLH-G

## Maßbild



## Article Table

DESCRIPTION	Order No.
Illuminated Push-button, extended, spring-return, green IP67	MM216969