

Data Sheet for Article: MM229492--

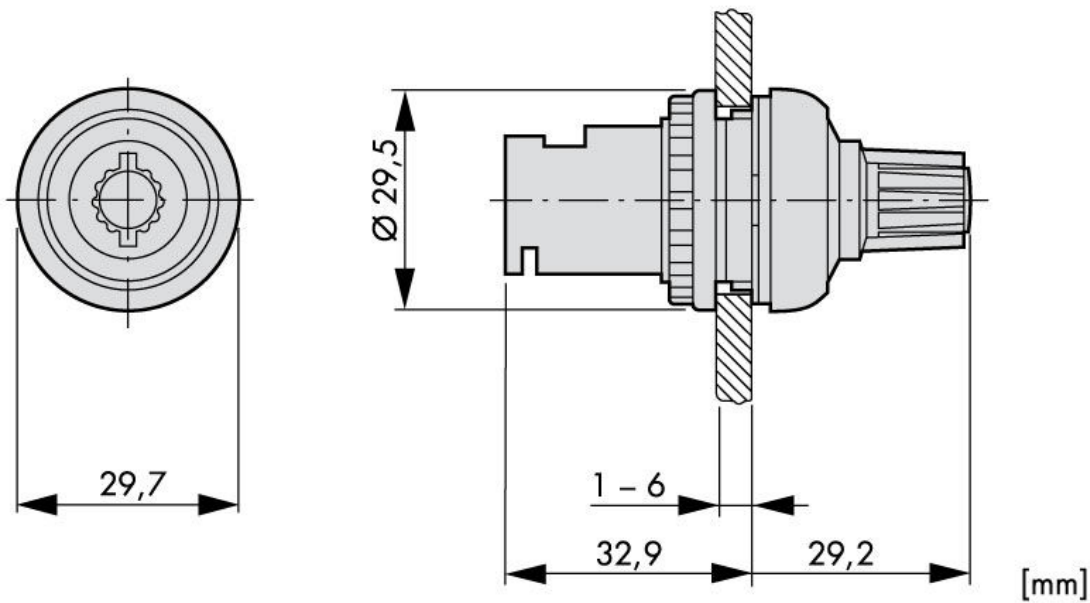
# Potentiometer 47kOhm



## Technical Data

Series	MM
Illumination	non-illuminated
Colour	Black/light gray
Make-up	others
IP Rating	IP66
Rated impulse withstand voltage [Uimp] (V)	4000
Rated insulation voltage [Ui] (V)	250
Overvoltage category/pollution degree	III / 3
shock resistance	30G
Ambient temperature Open (°C)	-25°C...+70°C
Climatic proofing	Damp heat, constant, to IEC 60068-2-78 Damp heat, cyclic, to IEC 60068-2-30
Standards	IEC/EN 60947, VDE 0660
Mounting position	any
Connection cross section, single wire (mm <sup>2</sup> )	0,5 - 1,5
Connection cross-section, multi-wire (mm <sup>2</sup> )	0,5 - 1,5
Type No.	M22-R47K

## Maßbild



## Article Table

DESCRIPTION	Order No.
Potentiometer 47kOhm	MM229492