

Data Sheet for Article: MM107412--

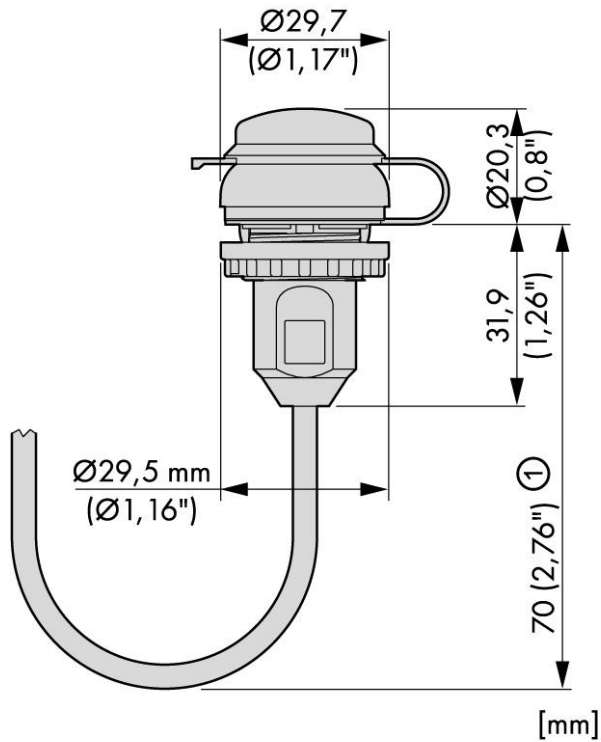
Bulkhead interface USB socket 2.0 A/A , with cable L=60cm



Technical Data

Series	MM
Make-up	accessories
shock resistance	30G
Ambient temperature Open (°C)	-25°C...+70°C
Climatic proofing	Damp heat, constant, to IEC 60068-2-78 Damp heat, cyclic, to IEC 60068-2-30
Standards	IEC/EN 60947, VDE 0660
Mounting position	any
Type No.	M22-USB

Dimensioned drawing: Bulkhead interface USB socket 2.0 A/A , with cable L=60cm



Article Table

DESCRIPTION	Order No.
Bulkhead interface USB socket 2.0 A/A , with cable L=60cm	MM107412