

Data Sheet for Article: MM229015--

Acoustic indicator, empty, black for MM229025 and MM229028

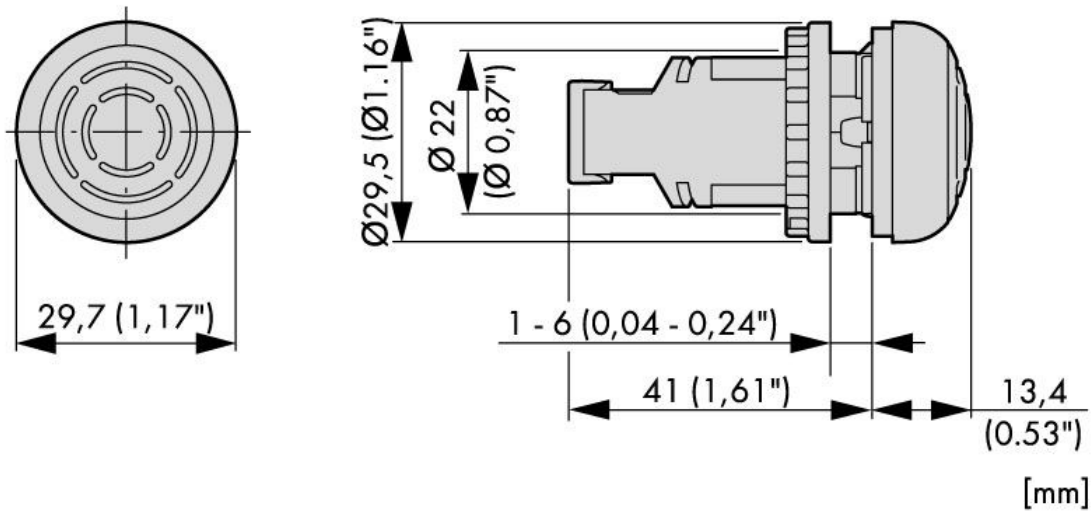
IP40



Technical Data

Series	MM
Illumination	non-illuminated
Make-up	Acoustic signal
IP Rating	IP40
Optional Accessories	MM229025--;MM229028--
Rated impulse withstand voltage [Uimp] (V)	4000
Rated insulation voltage [Ui] (V)	250
Overvoltage category/pollution degree	III / 3
shock resistance	30G
Ambient temperature Open (°C)	-25°C...+70°C
Climatic proofing	Damp heat, constant, to IEC 60068-2-78 Damp heat, cyclic, to IEC 60068-2-30
Standards	IEC/EN 60947, VDE 0660
Mounting position	any
Connection cross section, single wire (mm ²)	0,5 - 1,5
Connection cross-section, multi-wire (mm ²)	0,5 - 1,5
Type No.	M22-AMC

Maßbild



Article Table

DESCRIPTION	Order No.
Acoustic indicator, empty, black for MM229025 and MM229028 IP40	MM229015
Optional Accessories	
Buzzer, continous tone, 18 - 30VDC IP40	MM229025
Buzzer, pulse tone, 24VDC IP40	MM229028