

Data Sheet for Article: MM216529--

Compl. enclosure, 2 push-butt., 0/I, red/ green, 2 x 1NO+1NC

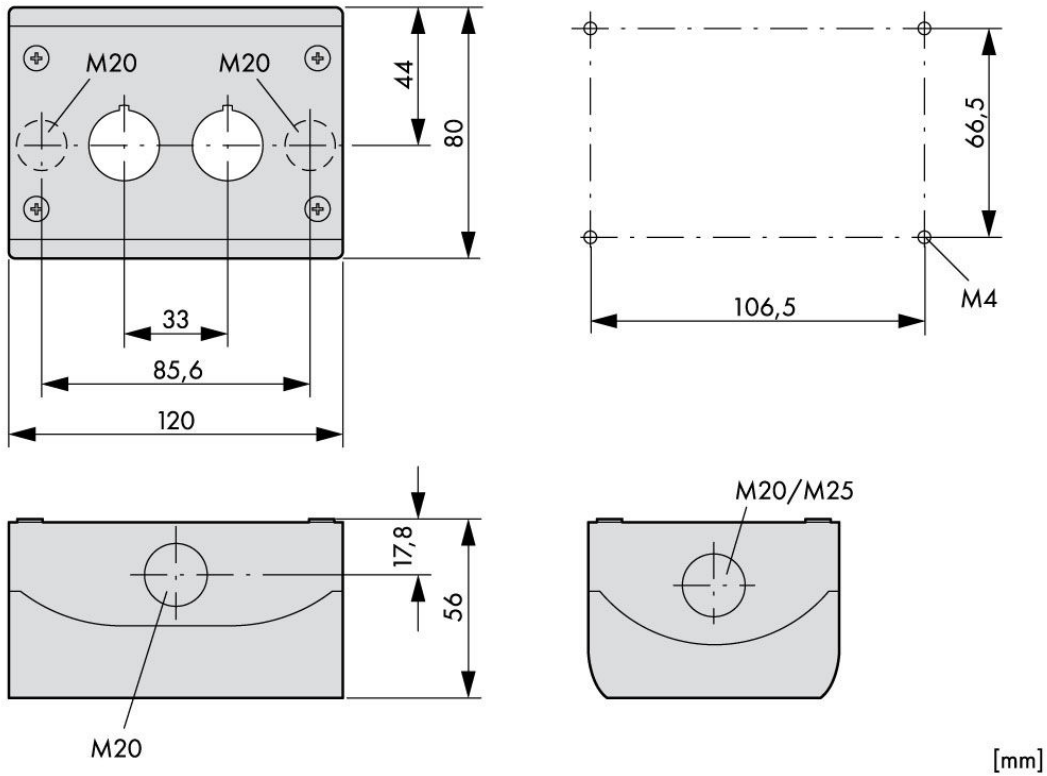
IP67



Technical Data

Series	MM-SET
Illumination	non-illuminated
Colour	Black/light gray
Device category	2
Make-up	Surface mount housing
IP Rating	IP69K IP67
shock resistance	30G
Ambient temperature Open (°C)	-25°C...+70°C
Climatic proofing	Damp heat, constant, to IEC 60068-2-78 Damp heat, cyclic, to IEC 60068-2-30
Standards	IEC/EN 60947, VDE 0660
Actuating force (N)	5
Lifespan, mechanical	5000000 Operations
Operating frequency	< 3600 Operations
Mounting position	any
Type No.	M22-I2-M1

Maßbild



Article Table

DESCRIPTION	Order No.
Compl. enclosure, 2 push-but., 0/I, red/green, 2 x 1NO+1NC IP67	MM216529