

# Double NO contact, Cage clamp



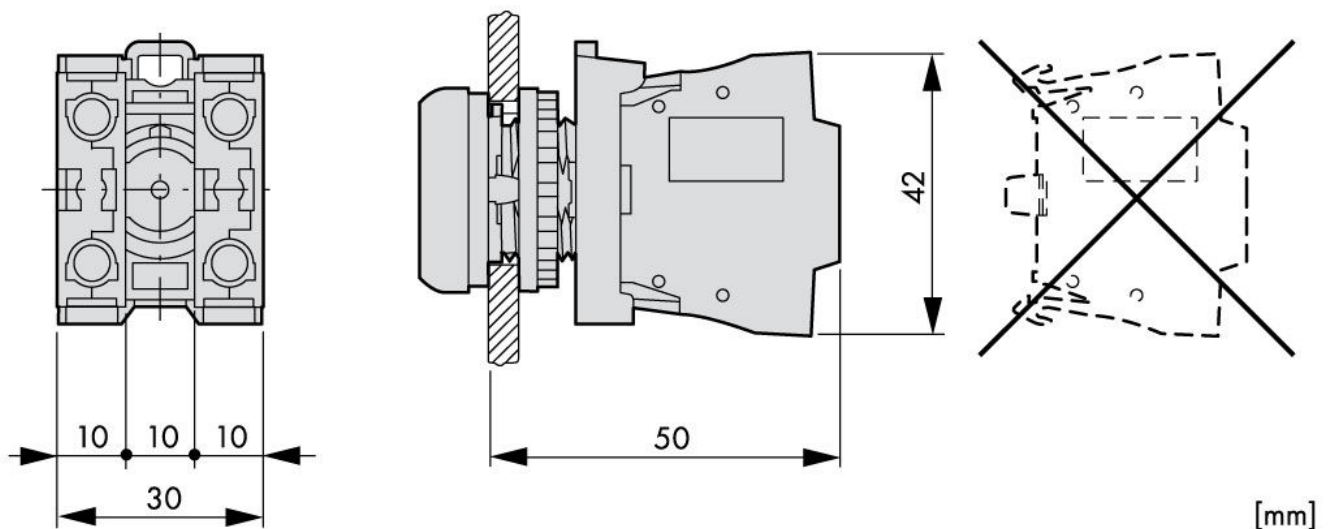
## Technical Data

Net width (mm)	10,00
Net height (mm)	39,00
Net weight (kg)	0,01
EAN	9004840547047
Min. ambient temperature (°C)	-25
Max. ambient temperature (°C)	55
Rated voltage	< 500VAC
Size type	1 2 3 4
Climatic proofing	Damp heat, constant, to IEC 60068-2-78 Damp heat, cyclic, to IEC 60068-2-30
IP Rating	IP20
Rated impulse withstand voltage [Uimp] (V)	4000
Overvoltage category/pollution degree	III / 3
Rated insulation voltage [Ui] (V)	250

## Datei Tabelle: Double NO contact, Cage clamp

			Contact elements	Double Contact elements
<b>False switching safety</b>				
at 24VDC/5mA	H <sub>F</sub> Error frequency	1 failure on 10 <sup>7</sup> operations	<math>\leq 10^{-7}</math>	-
at 5VDC/1mA	HF Error frequency	1 failure on 5x10 <sup>6</sup> operations	<math>\leq 5 \times 10^{-6}</math>	-
<b>Maximum short circuit protection device</b>				
Fuseless (automatic circuit breaker)	Type		B6/1	B6/1
Fuse	gG/gL		10	10
<b>Breaking capacity Rated operational current I<sub>e</sub></b>				
AC-15	115V	A	6	6
	230V	A	6	6
	400V	A	4	-
	500V	A	2	-
	DC-13	24V	A	3
	42V	A	1.7	-
	60V	A	1.2	-
	110V	A	0.8	0.6
	220V	A	0.3	0.3
<b>Lifetime, electrical</b>				
AC-15	230V/0.5A		1.6	-
	230V/1.0A		1	-
	230V/3.0A		0.7	-
	DC-13	12V/2.8A	1.2	-

## Maßbild



## Article Table

DESCRIPTION	Order No.
Double NO contact, Cage clamp	MM107898