

NO+NC, Cage clamp



Technical Data

Series	MM
Illumination	non-illuminated
Make-up	Contacts
IP Rating	IP20
Rated impulse withstand voltage [Uimp] (V)	6000
Rated insulation voltage [Ui] (V)	500
Overtoltage category/pollution degree	III / 3
shock resistance	30G
Ambient temperature Open (°C)	-25°C...+70°C
Climatic proofing	Damp heat, constant, to IEC 60068-2-78 Damp heat, cyclic, to IEC 60068-2-30
Standards	IEC/EN 60947, VDE 0660
Tightening torque (Nm)	0,80
Actuating force (N)	5
Lifespan, mechanical	5000000 Operations
Operating frequency	< 3600 Operations
Mounting position	any
Connection cross section, single wire (mm ²)	0,75 - 2,5
Connection cross-section, multi-wire (mm ²)	0,5 - 2,5
Type No.	M22-CK11

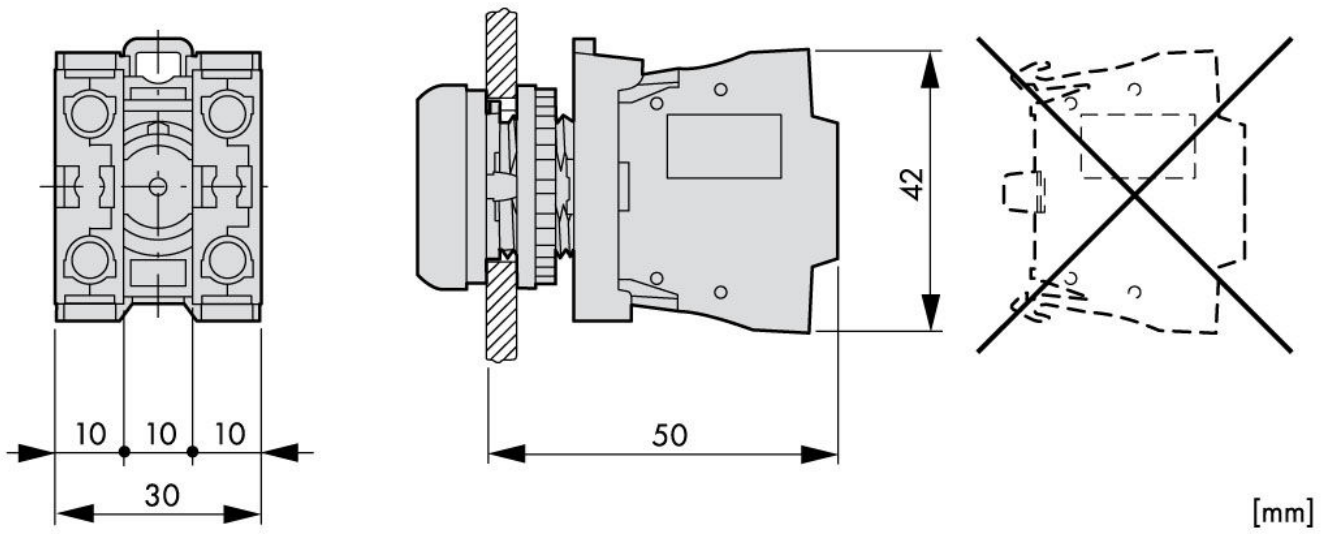
Technical Data - continued

Net width (mm)	10,00
Net height (mm)	39,00
Net weight (kg)	0,01
EAN	9004840625783
Min. ambient temperature (°C)	-25
Max. ambient temperature (°C)	55
Rated voltage	< 500VAC
Size type	1 2 3 4

Datei Tabelle: NO+NC, Cage clamp

			Contact elements	Double Contact elements
False switching safety				
at 24VDC/5mA	HF Error frequency	1 failure on 10 ⁷ operations	< 10 ⁻⁷	-
at 5VDC/1mA	HF Error frequency	1 failure on 5x10 ⁶ operations	< 5x10 ⁻⁶	-
Maximum short circuit protection device				
Fuseless (automatic circuit breaker)		Type	B6/1	B6/1
Fuse	gG/gL		10	10
Breaking capacity Rated operational current I_e				
AC-15	115V	A	6	6
	230V	A	6	6
	400V	A	4	-
	500V	A	2	-
DC-13	24V	A	3	3
	42V	A	1.7	-
	60V	A	1.2	-
	110V	A	0.8	0.6
	220V	A	0.3	0.3
Lifetime, electrical				
AC-15	230V/0.5A		1.6	-
	230V/1.0A		1	-
	230V/3.0A		0.7	-
DC-13	12V/2.8A		1.2	-

Maßbild



Article Table

DESCRIPTION	Order No.
NO+NC, Cage clamp	MM107940