

## ■ DATASHEET: MODULAR DOUBLE LED-INDICATOR 110-240V AC/DC RED/GREEN



BZ117908

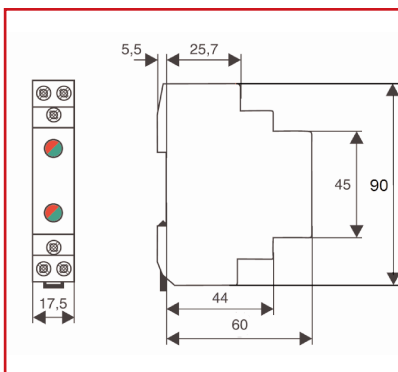
### ■ SCHRACK-INFO

- Color red/green (depending on wiring)
- force guided lift terminal

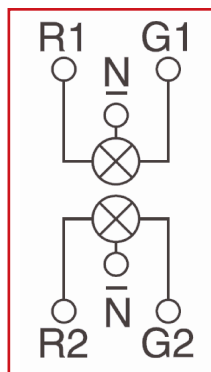
### ■ TECHNICAL DATA

Function	Indicator
LED-Color	red or green, depending on wiring
Brightness	15 mcd / LED
Rated voltage	110-240 V AC
Power loss	2W / LED
Cap-dimensions	45mm
Dimensions of sockets	90mm
Width of sockets	17,5 mm (1TE)
Special snap-on mounting	according to IEC/EN 60715
Degree of protection	IP40
Terminals	force-guided lift-terminals with force
Terminal capacity	1-10 mm <sup>2</sup>
Finger and hand touch safe	according to BGV A3, ÖVE-EN 6
Climatic conditions	according to IEC/EN 60068

### ■ DIMENSIONS



### ■ WIRING DIAGRAM



RATED CURRENT / CONTACTS	TE	TYPE	EAN-CODE	ORDER NO.
Double-Indicator-LED 110-240V AC/DC red/green	1	BZ DLM R/G 240	9004840406573	BZ117908