

■ DATASHEET: MODULAR DOUBLE LED-INDICATOR 12-24V AC/DC RED/GREEN



BZ127908

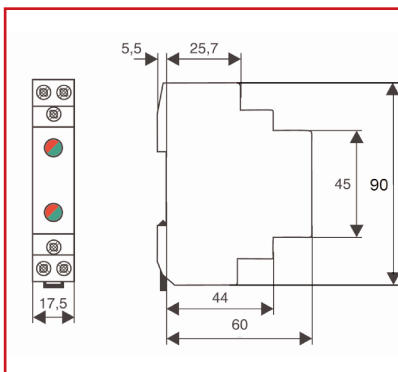
■ SCHRACK-INFO

- Color red/green (depending on wiring)
- force guided lift terminal

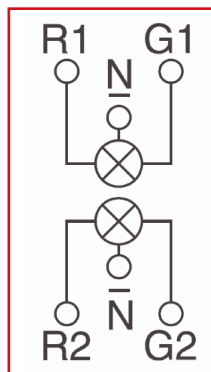
■ TECHNICAL DATA

Function	Indicator
Number of LED	2
LED-Color	red or green, depending on wiring
Brightness	15 mcd / LED
Rated voltage	12-24 V AC
Power loss	2W / LED
Cap-dimensions	45mm
Dimensions of sockets	90mm
Width of sockets	17,5 mm (ITE)
Special snap-on mounting	according to IEC/EN 60715
Degree of protection	IP40
Terminals	force-guided lift-terminals with force
Terminal capacity	1-10 mm ²
Finger and hand touch safe	according to BGV A3, ÖVE-EN 6
Climatic conditions	according to IEC/EN 60068

■ DIMENSIONS



■ WIRING DIAGRAM



RATED CURRENT / CONTACTS	TE	TYPE	EAN-CODE	ORDER NO.
Double-Indicator-LED 12-24V AC/DC red/green	1	BZ DLM R/G 24	9004840406580	BZ127908